



PIAGGIO®



MANUAL DE PARTES APÉ CITY NXT+ 2023 - 2024 (DLX NXT+ BS3)



POP

PARTES ORIGINALES PIAGGIO

• SEGURIDAD • CONFIABILIDAD
• DURACIÓN

www.piaggiomx.com



**PIAGGIO®**

INDICE DE LÁMINAS

NUMERO DE LÁMINA	NOMBRE DE LÁMINA	GRAFICO NO.	PAGINA NO.
1	MOTOR	1	1-2
2	CAJA DE CIGÜEÑAL	2	3-6
3	CIGÜEÑAL	3	7-8
4	GRUPO DE CILINDRO, PISTON Y ANILLOS	4	9-10
5	CABEZA DE CILINDRO - VALVULAS	5	11-12
6	UNIDAD DE SOPORTE DE BALANCINES	6	13-14
7	CUBIERTA DE CABEZA DE CILINDRO	7	15-16
8	BOMBA DE ACEITE	8	17-18
9	MARCHA - ENCENDIDO ELECTRICO	9	19-20
10	VENTILADOR - GENERADOR DE CORRIENTE	10	21-22
11	CUBIERTAS DE VENTILADOR Y MOTOR	11	23-24
12	COMPONENTES DE CAJA DE ENGRANES DE CAMBIOS	12	25-26
13	CONJUNTO DE CLUTCH Y TAPA DE CLUTCH	13	27-30
14	DIFERENCIAL	14	31-32
15	FILTRO DE AIRE Y SISTEMA DE ADMISION	15	33-34
16	COPELE DE ADMISION - CARBURADOR	16	35-36
17	SILENCIADOR	17	37-38
18	CONJUNTO DE BOBINA DE ALTA	18	39-40
19	SOPORTES DE MOTOR	19	41-42
20	CARROCERIA PRINCIPAL/ SOPORTE DE BATERIA / SUJETADOR DE BATERIA	20	43-46
21	CUERPO DE PASAJEROS CON PUERTAS Y CERRADURA - LONA	21	47-52
22	PARABRISAS, MARCO, EMPAQUE Y ESPEJOS	22	53-54

**PIAGGIO®**

INDICE DE LÁMINAS

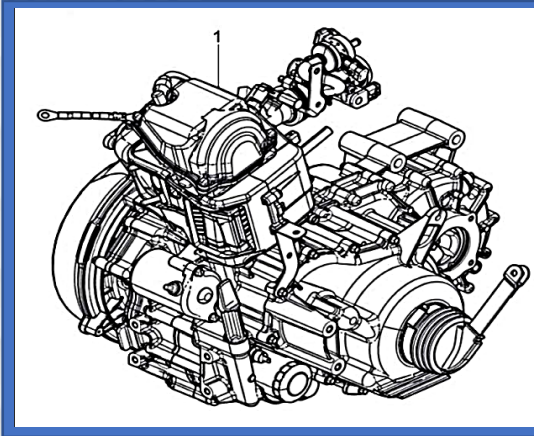
NUMERO DE LÁMINA	NOMBRE DE LÁMINA	GRAFICO NO.	PAGINA NO.
23	SALPICADERA	23	55-58
24	TANQUE DE COMBUSTIBLE/FILTRO/LINEA DE COMBUSTIBLE - GASOLINA	24	59-60
25	COMPONENTES DE CABINA - TAPETES Y KIT DE HERRAMIENTA	25	61-62
26	CUBIERTA DE TABLERO Y JUEGO DE CHAPAS	26	63-64
27	FAROS Y BISELES, LOGO Y SOPORTE	27	65-66
28	MANUBRIO	28	67-68
29	COLUMNA DE DIRECCION - BALEROS DE DIRECCION	29	69-72
30	SUSPENSION TRASERA - AMORTIGUADOR Y SOPORTE DE MOTOR	30	73-76
31	FLECHA DE TRACCION Y CUBREPOLVO	31	77-78
32	FRENO FRONTAL (BALATAS, CILINDRO DE FRENO, REPUESTOS, RESORTES DE BALATAS)	32	79-80
33	FRENO TRASERO (BALATAS, CILINDRO DE FRENO, REPUESTOS, RESORTES DE BALATAS)	33	81-82
34	CHICOTES	34	83-84
35	CILINDRO MAESTRO - SISTEMA DE FRENO Y LINEAS	35	85-86
36	PEDALES DE CONTROL - PALANCAS	36	87-88
37	SELECTORES - INTERRUPTORES Y BOTONES	37	89-90
38	CALAVERAS TRASERAS	38	91-92
39	ARNÉS PRINCIPAL	39	93-94
40	COMPONENTES ELECTRICOS	40	95-98
41	LIMPIA PARABRISAS	41	99-100
42	CALCOMANIAS	42	101-102
43	PARTES PEQUEÑAS DE CARBURADOR	16.1	103-104

INDICE PICTORICO DE LÁMINAS

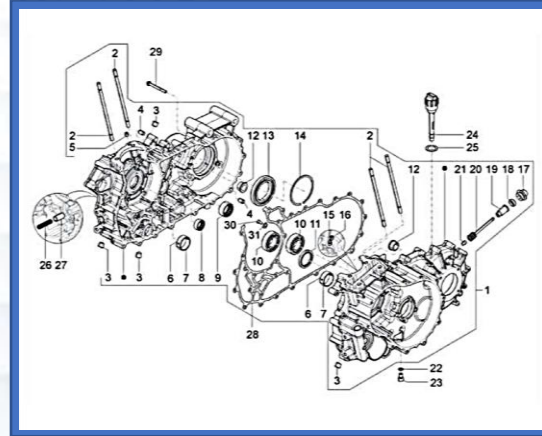


PIAGGIO®

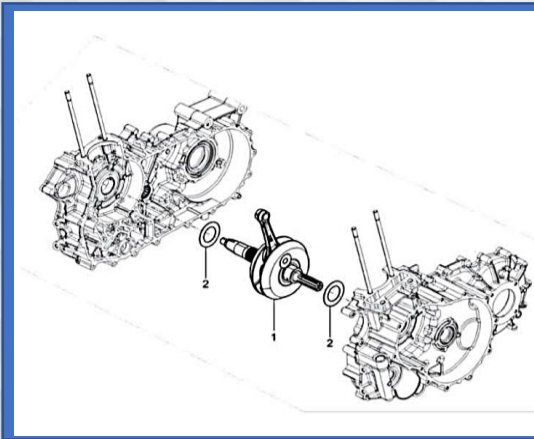
LAMINA-1 MOTOR
PAGINA: 1-2



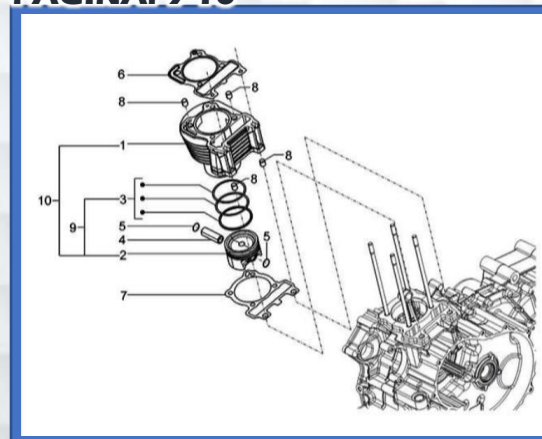
LAMINA-2 CAJA DE CIGÜEÑAL
PAGINA: 3-6



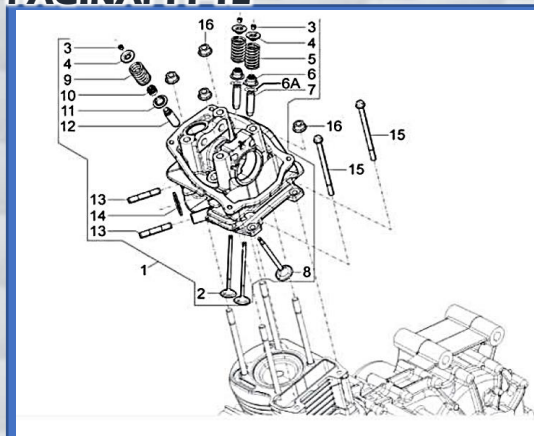
LAMINA-3 CIGÜEÑAL
PAGINA: 7-8



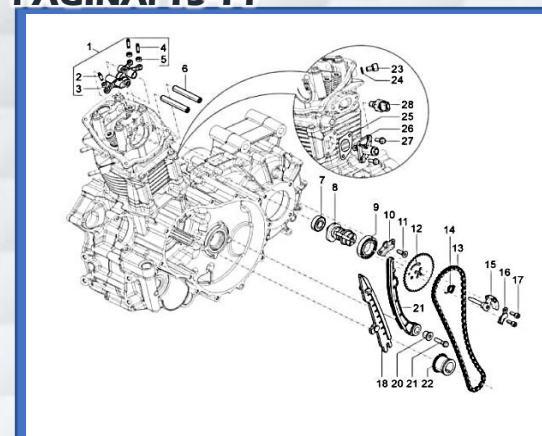
LAMINA-4 GRUPO DE CILINDRO, PISTON Y ANILLOS
PAGINA: 9-10



LAMINA-5 CABEZA DE CILINDRO - VALVULAS
PAGINA: 11-12



LAMINA-6 UNIDAD DE SOPORTE DE BALANCINES
PAGINA: 13-14



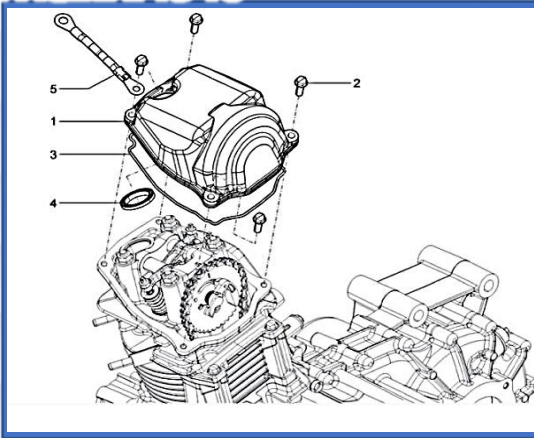
INDICE PICTORICO DE LÁMINAS



PIAGGIO®

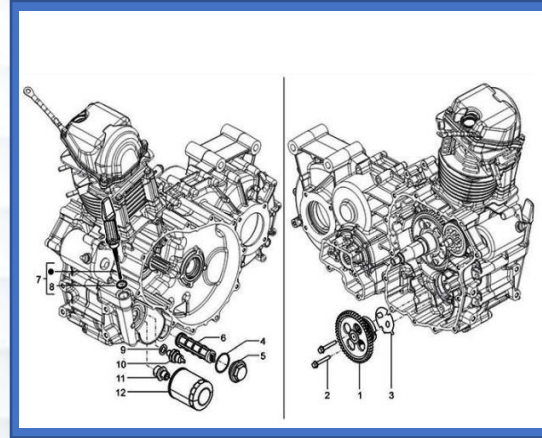
LAMINA-7 CUBIERTA DE CABEZA DE CILINDRO

PAGINA: 15-16



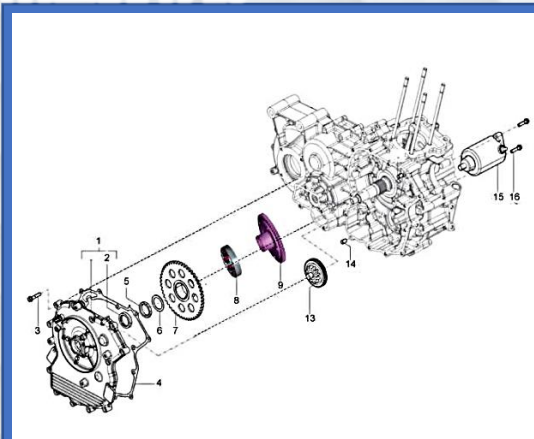
LAMINA-8 BOMBA DE ACEITE

PAGINA: 17-18



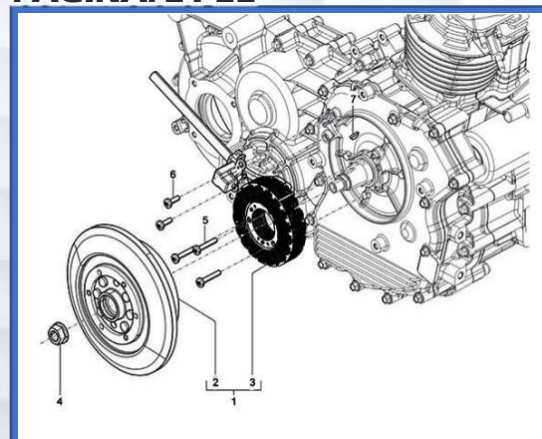
LAMINA-9 MARCHA – ENCENDIDO ELECTRICO

PAGINA: 19-20



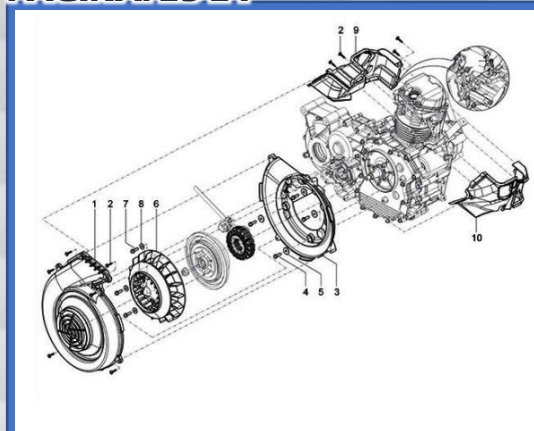
LAMINA-10 VENTILADOR – GENERADOR DE CORRIENTE

PAGINA: 21-22



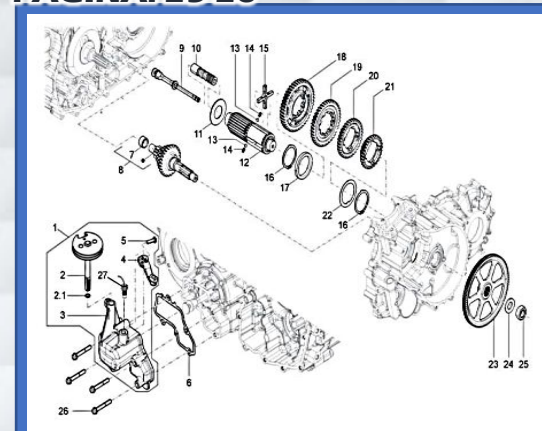
LAMINA-11 CUBIERTAS DE VENTILADOR Y MOTOR

PAGINA: 23-24



LAMINA-12 COMPONENTES DE CAJA DE ENGRANES DE CAMBIOS

PAGINA: 25-26



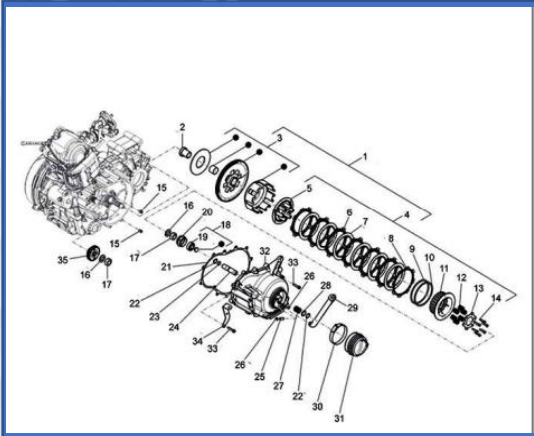
INDICE PICTORICO DE LÁMINAS



PIAGGIO®

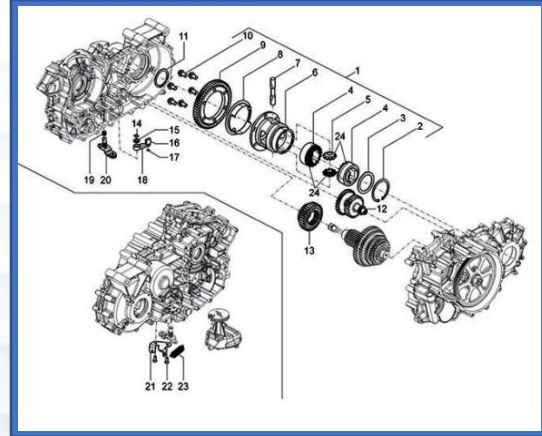
LAMINA-13 CONJUNTO DE CLUTCH Y TAPA DE CLUTCH

PAGINA: 27-30



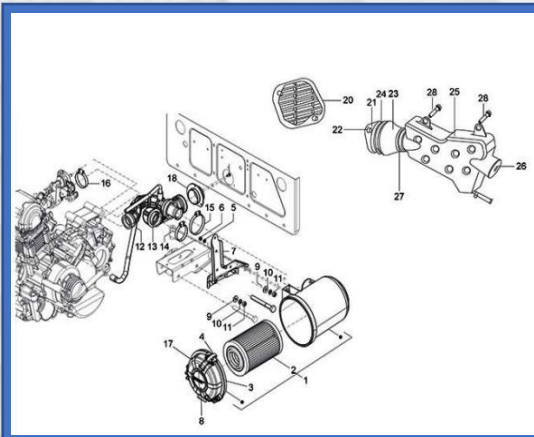
LAMINA-14 DIFERENCIAL

PAGINA: 31-32



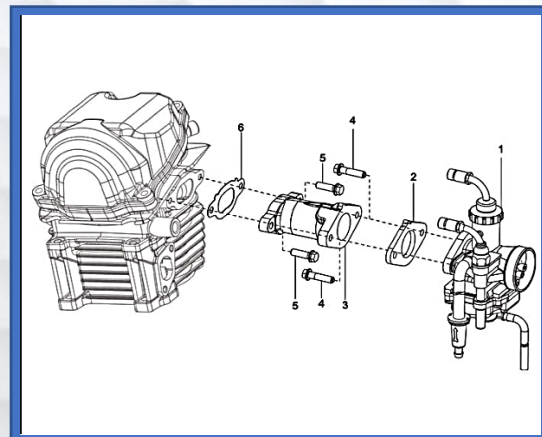
LAMINA-15 FILTRO DE AIRE Y SISTEMA DE ADMISIÓN

PAGINA: 33-34



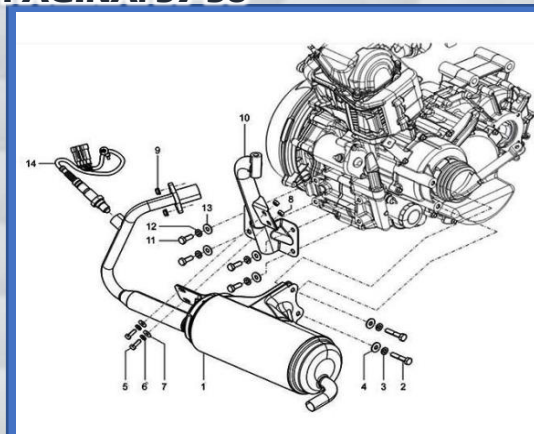
LAMINA-16 COPLE DE ADMISIÓN - CARBURADOR

PAGINA: 35-36



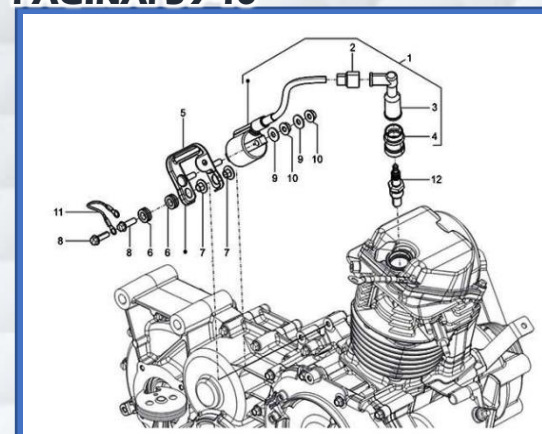
LAMINA-17 SILENCIADOR

PAGINA: 37-38



LAMINA-18 CONJUNTO DE BOBINA DE ALTA

PAGINA: 39-40



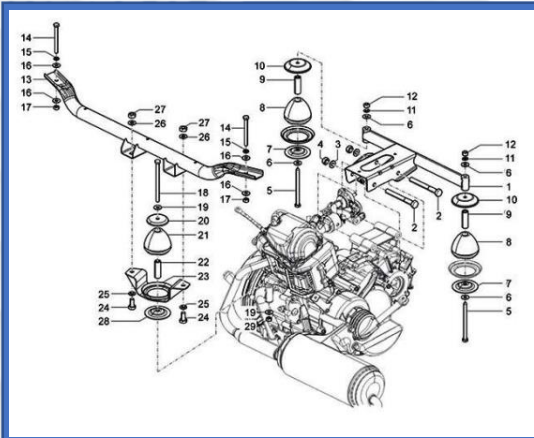
INDICE PICTORICO DE LÁMINAS



PIAGGIO®

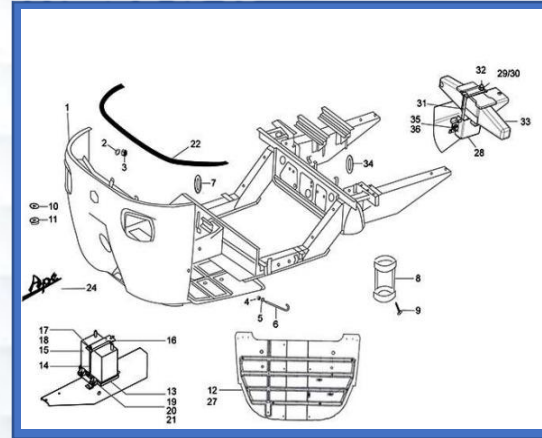
LAMINA-19 SOPORTES DE MOTOR

PAGINA: 41-42



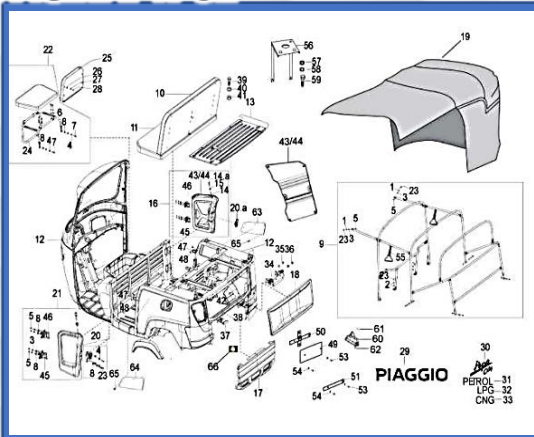
LAMINA-20 CARROCERIA PRINCIPAL/SOPORTE Y SUJETADOR DE BATERIA

PAGINA: 43-46



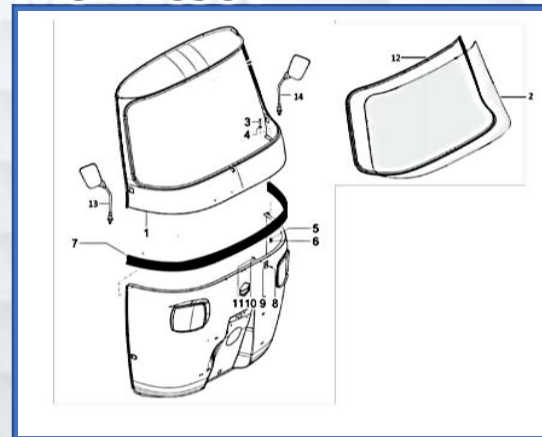
LAMINA-21 CUERPO DE PASAJEROS CON PUERTAS Y CERRADURA - LONA

PAGINA: 47-52



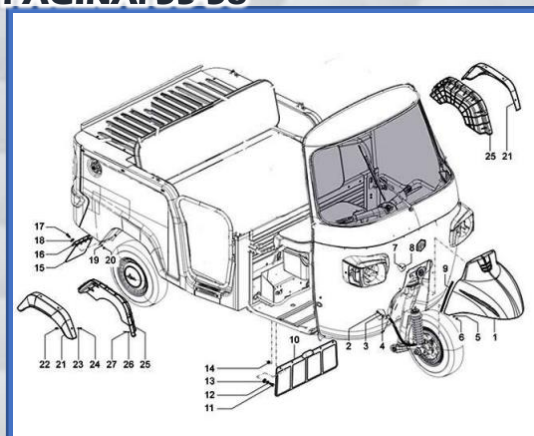
LAMINA-22 PARABRISAS, MARCO, EMPAQUE ESPEJOS

PAGINA: 53-54



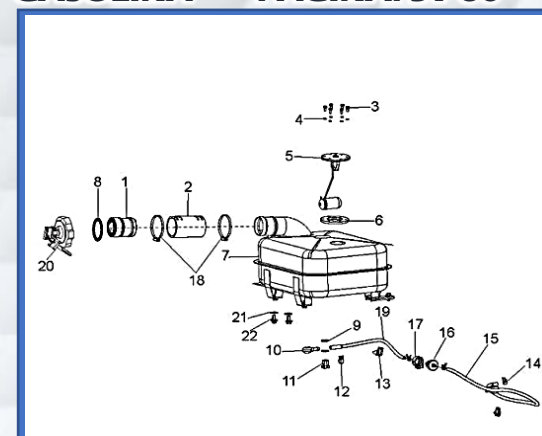
LAMINA-23 SALPICADERA

PAGINA: 55-58



LAMINA-24 TANQUE DE COMBUSTIBLE/FILTRO/LINEA DE COMBUSTIBLE - GASOLINA

PAGINA: 59-60

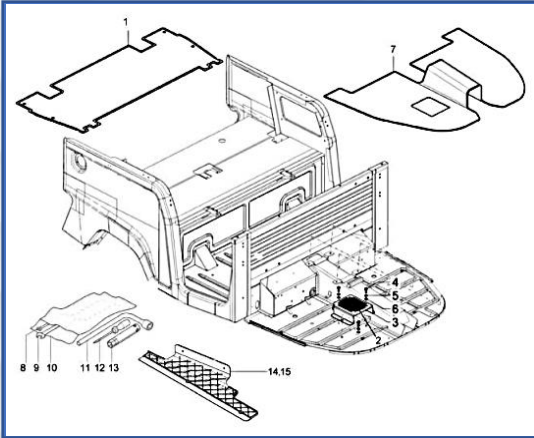


INDICE PICTORICO DE LÁMINAS

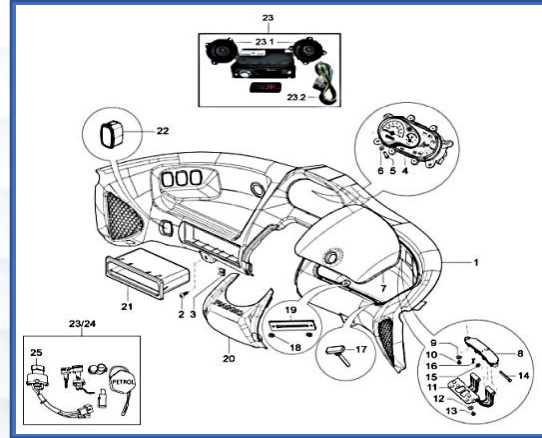


PIAGGIO®

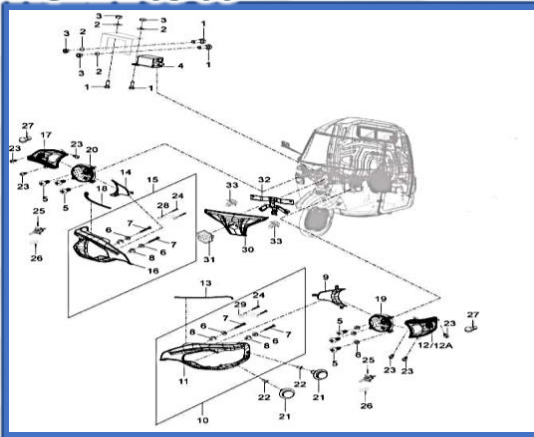
LAMINA-25 COMPONENTES DE CABINA - TAPETES Y KIT DE HERRAMIENTA PAGINA: 61-62



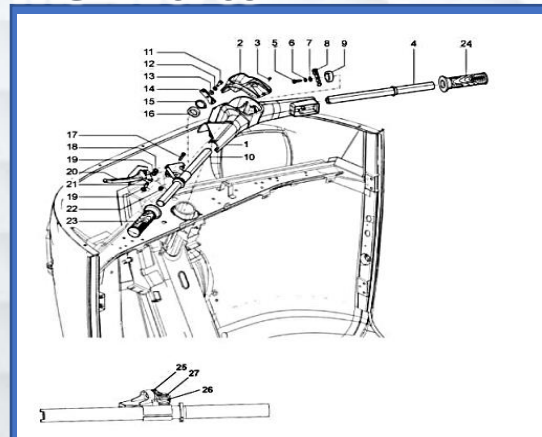
LAMINA-26 CUBIERTA DE TABLERO Y JUEGO DE CHAPAS PAGINA: 63-64



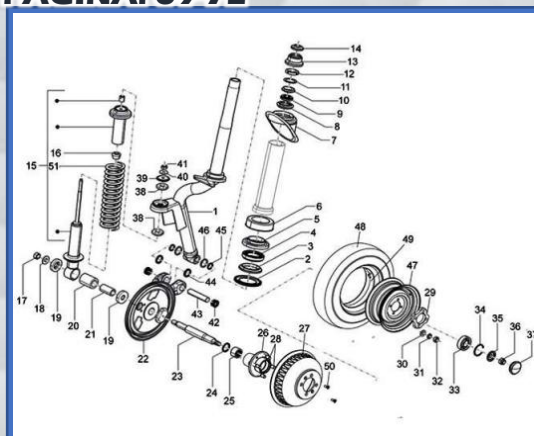
LAMINA-27 FAROS Y BISELES, LOGO Y SOPORTE PAGINA: 65-66



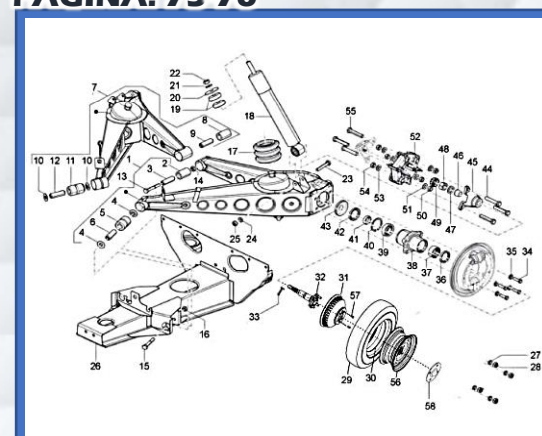
LAMINA-28 MANUBRIO PAGINA: 67-68



LAMINA-29 COLUMNA DE DIRECCION – BALEROS DE DIRECCION PAGINA: 69-72



LAMINA-30 SUSPENSION TRASERA - AMORTIGUADOR Y SOPORTE DE MOTOR PAGINA: 73-76

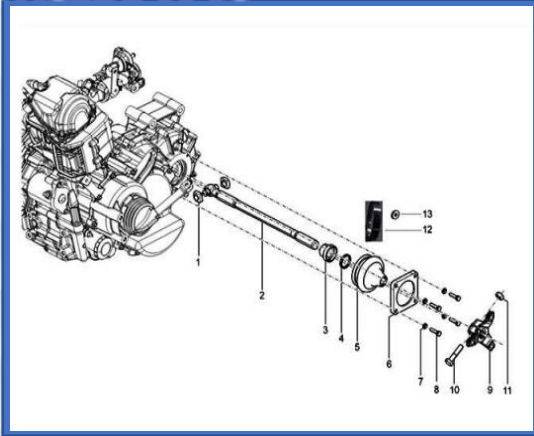


INDICE PICTORICO DE LÁMINAS

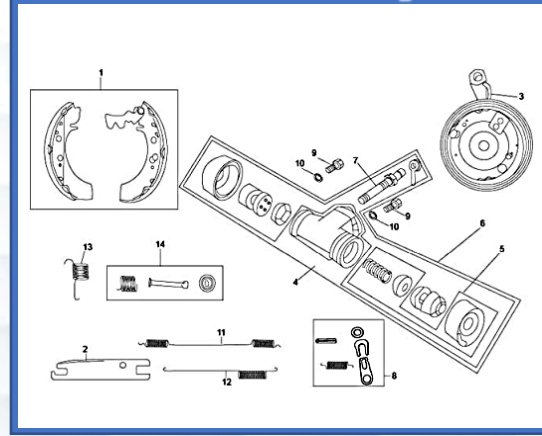


PIAGGIO®

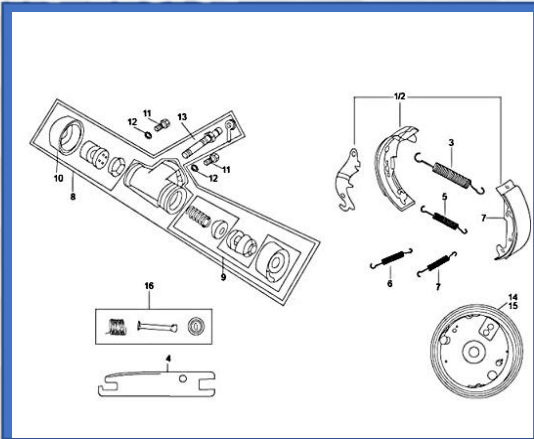
LAMINA-31 FLECHA DE TRACCION Y CUBREPOLVO
PAGINA: 77-78



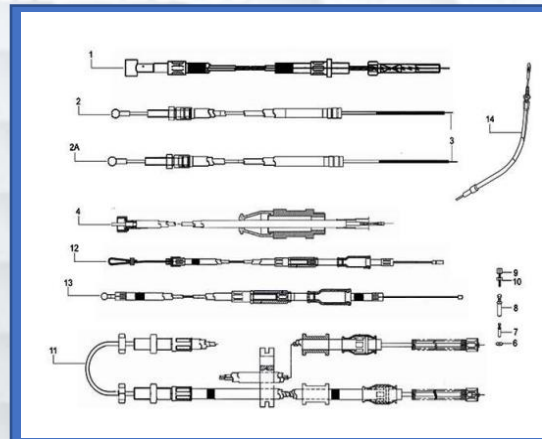
LAMINA-32 FRENO FRONTAL (BALATAS, CILINDRO DE FRENO, REPUESTOS, RESORTES DE BALATAS) **PAGINA: 79-80**



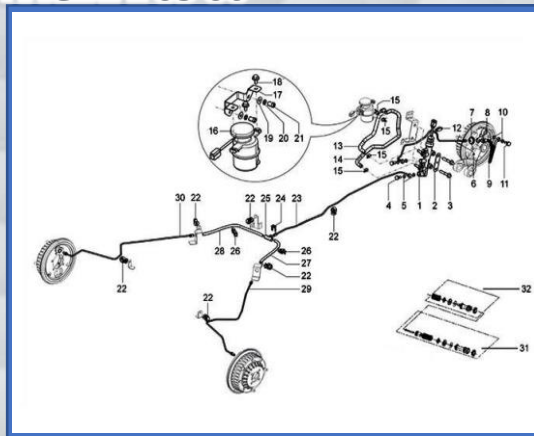
LAMINA-33 FRENO TRASERO (BALATAS, CILINDRO DE FRENO, REPUESTOS, RESORTES DE BALATAS)
PAGINA: 81-82



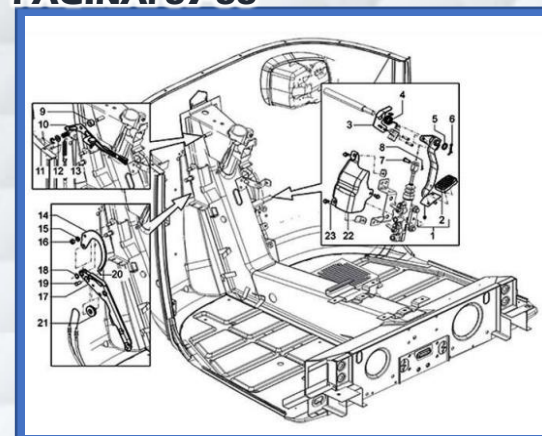
LAMINA-34 CHICOTES (REVERSA, ACELERADOR, CLUTCH, CAMBIOS, TERMINALES)
PAGINA: 83-84



LAMINA-35 CILINDRO MAESTRO - SISTEMA DE FRENO Y LINEAS
PAGINA: 85-86



LAMINA-36 PEDALES DE CONTROL - PALANCAS
PAGINA: 87-88

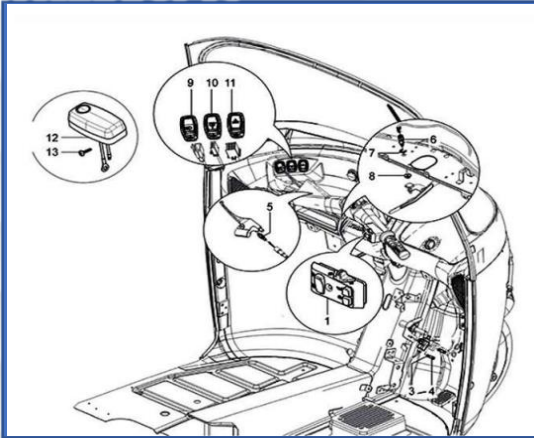


INDICE PICTORICO DE LÁMINAS

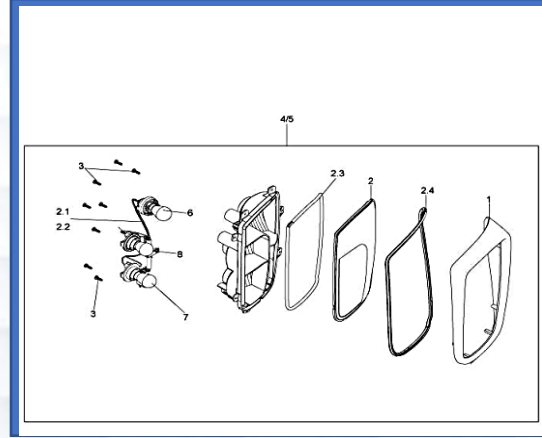


PIAGGIO®

LAMINA-37 SELECTORES – INTERRUPTORES Y BOTONES
PAGINA: 89-90

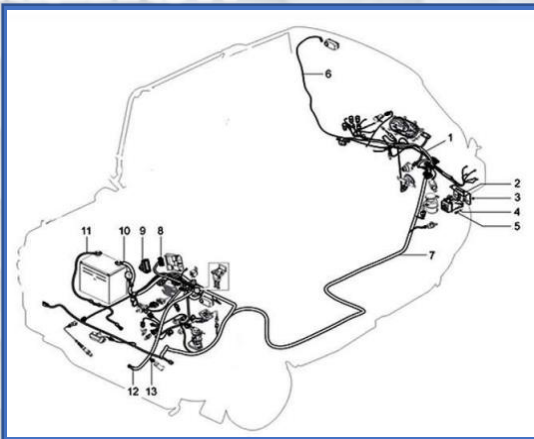


LAMINA-38 CALAVERAS TRASERAS
PAGINA: 91-92



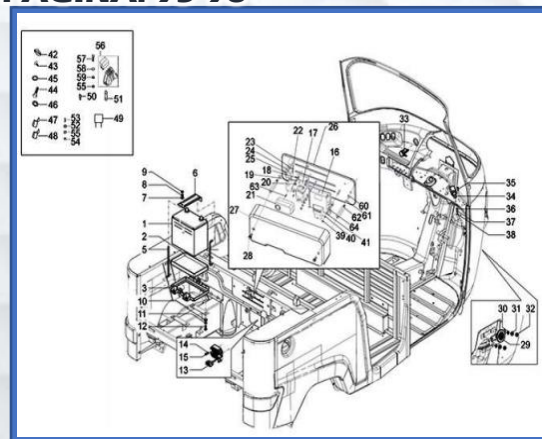
LAMINA-39 ARNÉS PRINCIPAL

PAGINA: 93-94



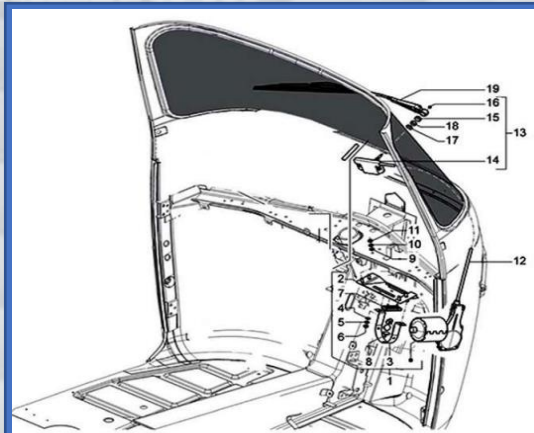
LAMINA-40 COMPONENTES ELECTRICOS

PAGINA: 95-98



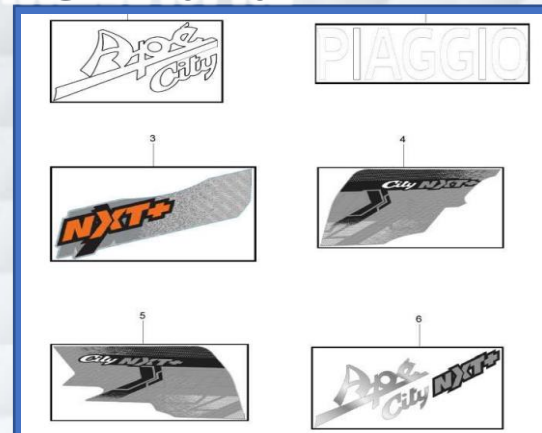
LAMINA-41 LIMPIA PARABRISAS

PAGINA: 99-100



LAMINA-42 CALCOMANIAS

PAGINA: 101-102



INDICE PICTORICO DE LÁMINAS



PIAGGIO®

LAMINA-16.1 PARTES PEQUEÑAS DE CARBURADOR PAGINA: 103-104

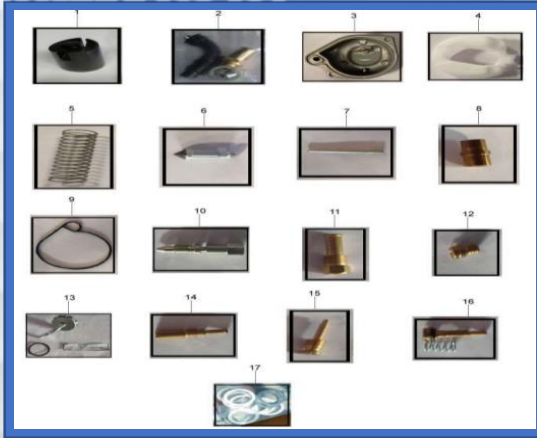


PLATE-1
Engine Assembly

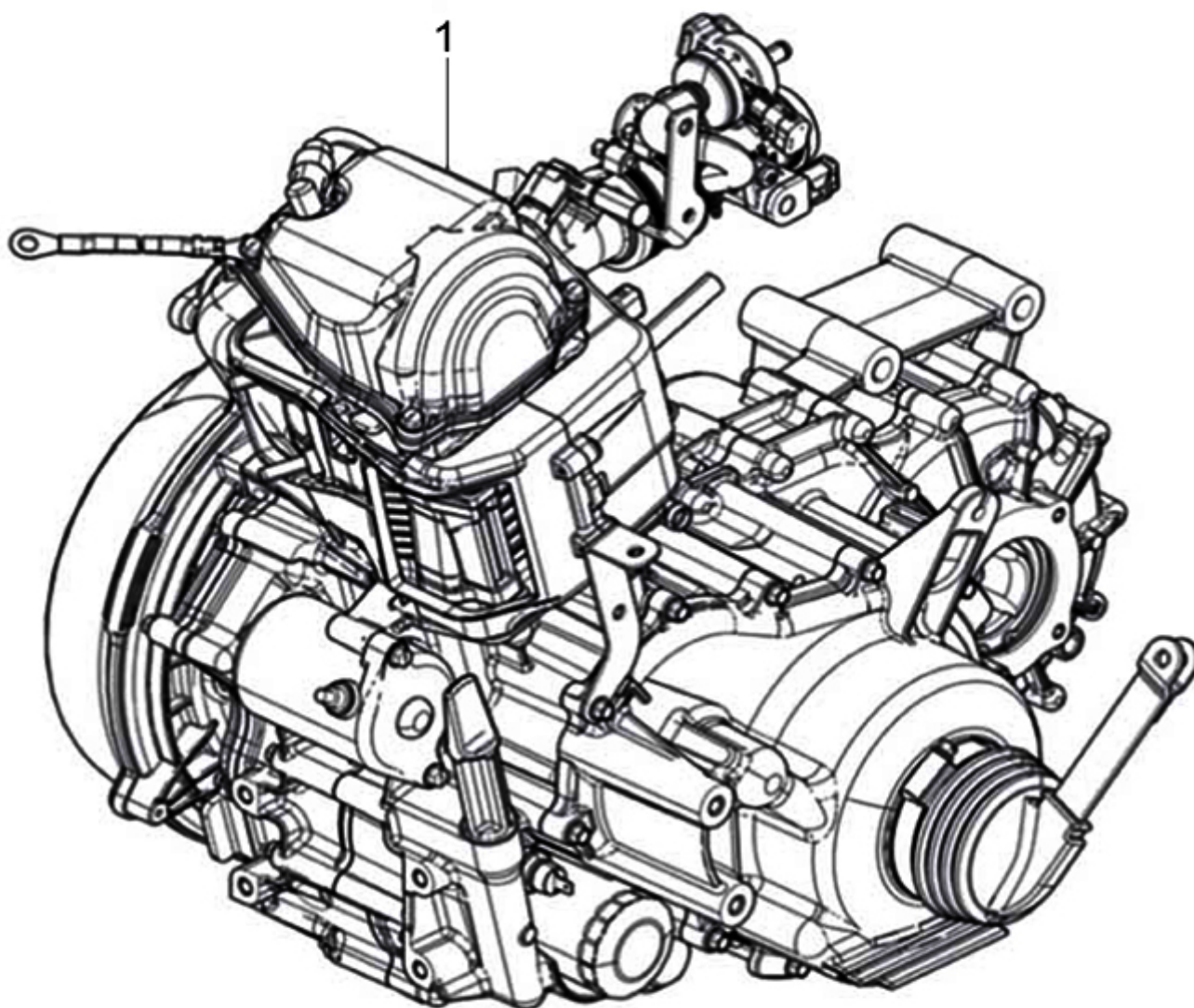


PLATE-1
Engine Assembly

Fig. No.	Part No.	Description	Qty	Remarks
1	CM293927	ENG 230 4S 3V BSIII APÉ PAX PETROL EXP	1	

PLATE-2
COUPLED CRANKCASE

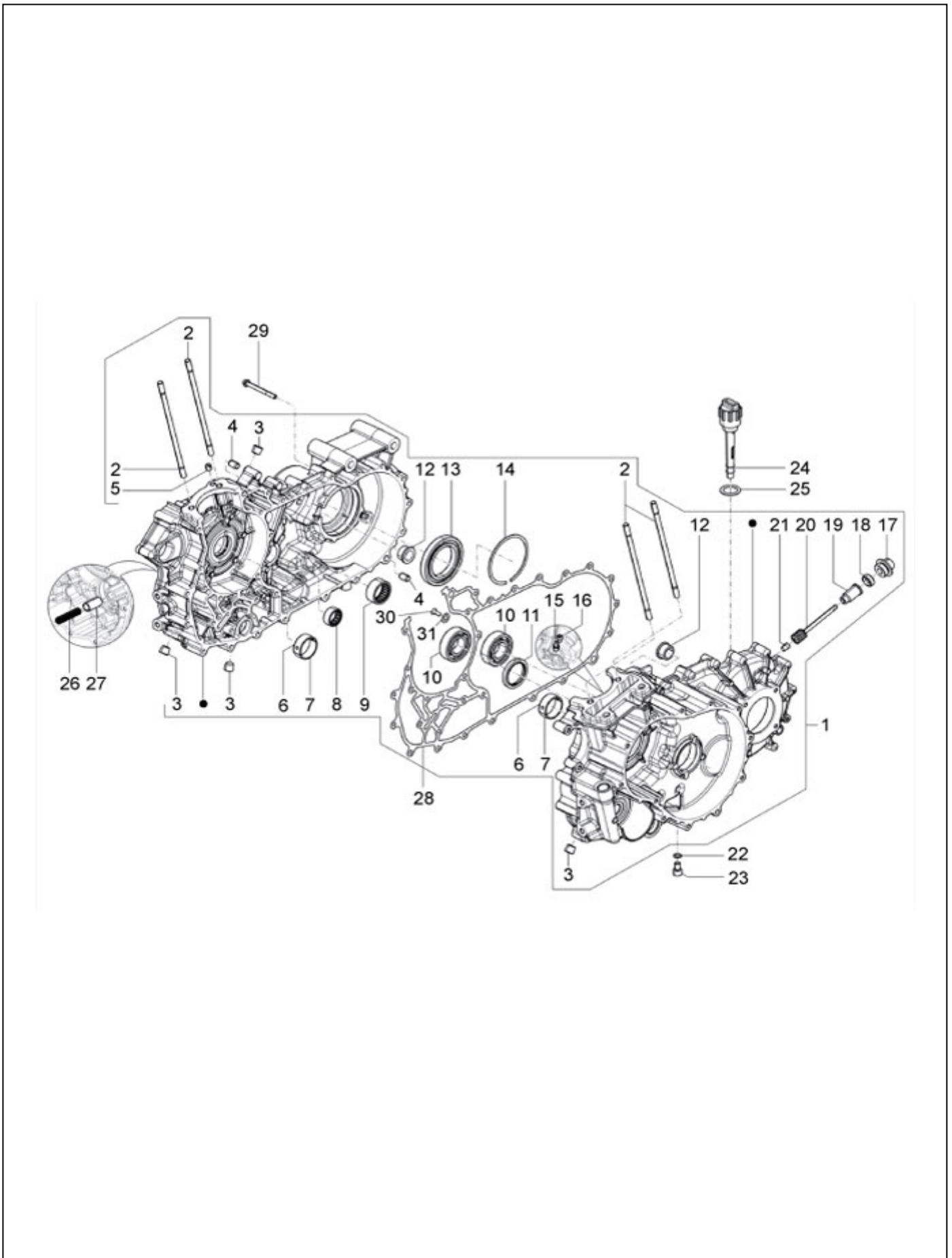


PLATE-2
COUPLED CRANKCASE

Fig. No.	Part No.	Description	Qty	Remarks
1	SP1A007046	COMPLETE CRANKCASE- SPD	1	
2	B014755	STUD SCREW	4	
3	1A011246	TAPER THREAD PLUG	4	
4	B015592	REFERENCE DOWEL (D.9,5 H=15)	2	
5	1A007774	DOWEL	1	
6	1A007663R	CRANKSHAFT STUB UPPER HALF BEARING	1	Service on colorwise set KIT95007R/7Y/7B
7	1A007664R	CRANKSHAFT STUB LOWER HALF BEARING	1	Service on colorwise set KIT95007R/7Y/7B
8	884222808	NEEDLE BUSH 22X28X12	1	
9	1A007028	ROLLER BEARING	1	
10	1A007026	BALL BEARING	2	
11	1A002685	SEAL RING 35X47X6	1	
12	B042486	BUSH	2	
13	7066R	RADIAL BALL BEARING	1	
14	111353	CIRCLIP	1	
15	1A008823	PISTON COOLING JET	1	
16	1A000612	RETAINER SCREW - PRE COATED	1	
17	1A008559	BUSH (SPEEDOMETER GEAR)	1	
18	117402	OIL SEAL	1	
19	117401	BUSH	1	
20	1A010720	SPEEDOMETER GEAR	1	
21	165121014	PIN	1	
22	485703	WASHER	1	
23	269755	SOCKET HEAD SCREW (M8X12)	1	
24	112898	OIL LEVEL ARM WITH PLUG	1	
25	127016015	DIPSTICK SEALING WASHER	1	
26	485655	SPRING FOR OIL PRESSURE VALVE	1	
27	829661	OIL PRES.VALVE	1	
28	1A006856	HALF-CRANKCASES GASKET	1	
29	432142	HEXAGONAL RANGE HEAD SCREW (M6X35)	30	
30	1A016964	CSK PHILIPS HEAD SCREW	1	
31	1A011217	WASHER	1	
32	KIT95007R	CRANKSHAFT BEARING SET_RED COLOUR	1	Red color bearing set(consist Of sr no 6,7)
33	KIT95007Y	CRANKSHAFT BEARING SET_YELLOW COLOUR	1	Yellow color bearing set(consist Of sr no 6,7)
34	KIT95007B	CRANKSHAFT BEARING SET_BLUE COLOUR	1	Blue color bearing set(consist Of sr no 6,7)
35	KIT96028R	ENGINE GASKET SET APECITY BS3/4 STEP-2	1	NI

PLATE-2
COUPLED CRANKCASE

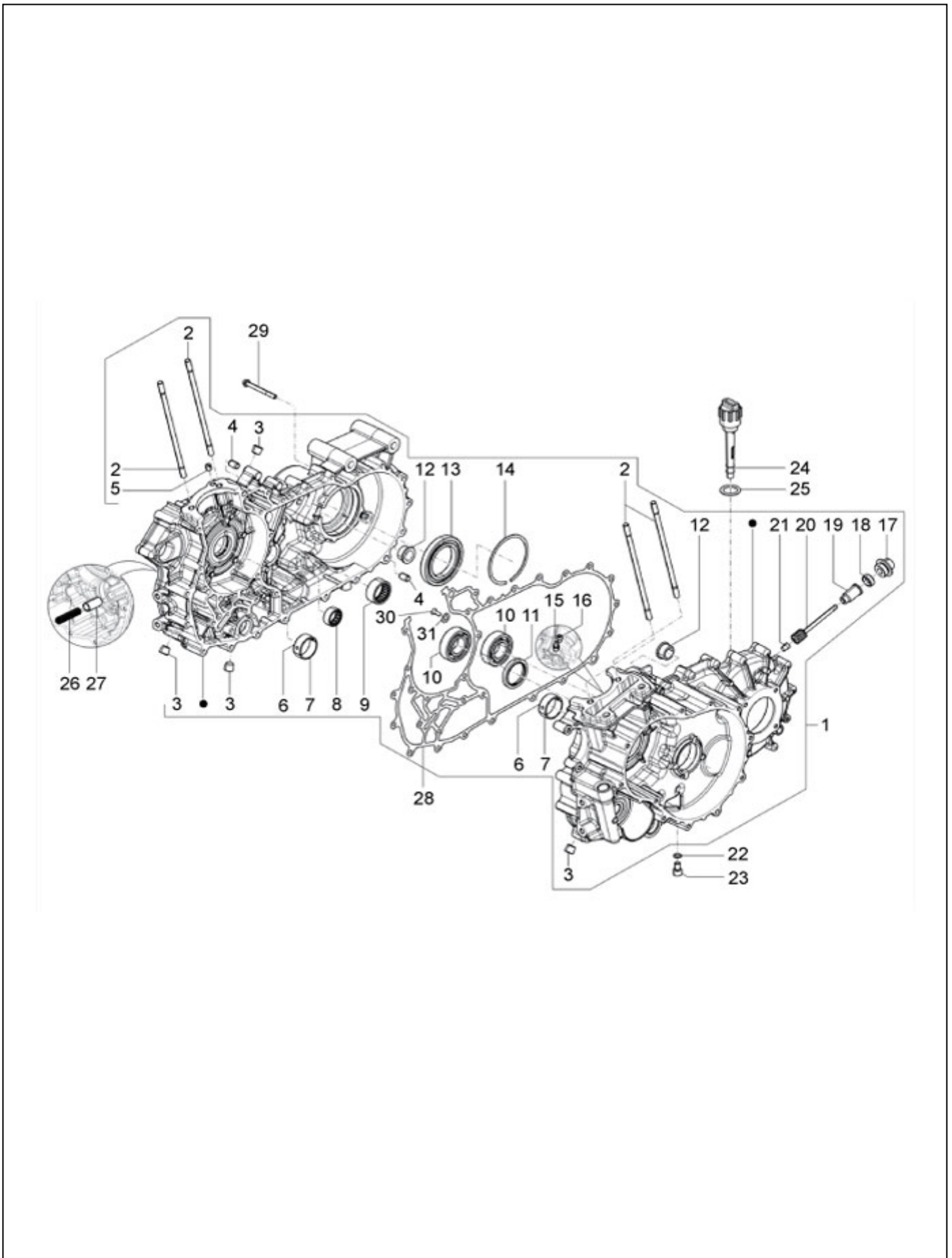


PLATE-2
COUPLED CRANKCASE

Fig. No.	Part No.	Description	Qty	Remarks
36	KIT95105R	ENG.OIL SEAL SET APECITY-STEP-2 AND 230CC AF	1	NI

PLATE-3
CRANKSHAFT

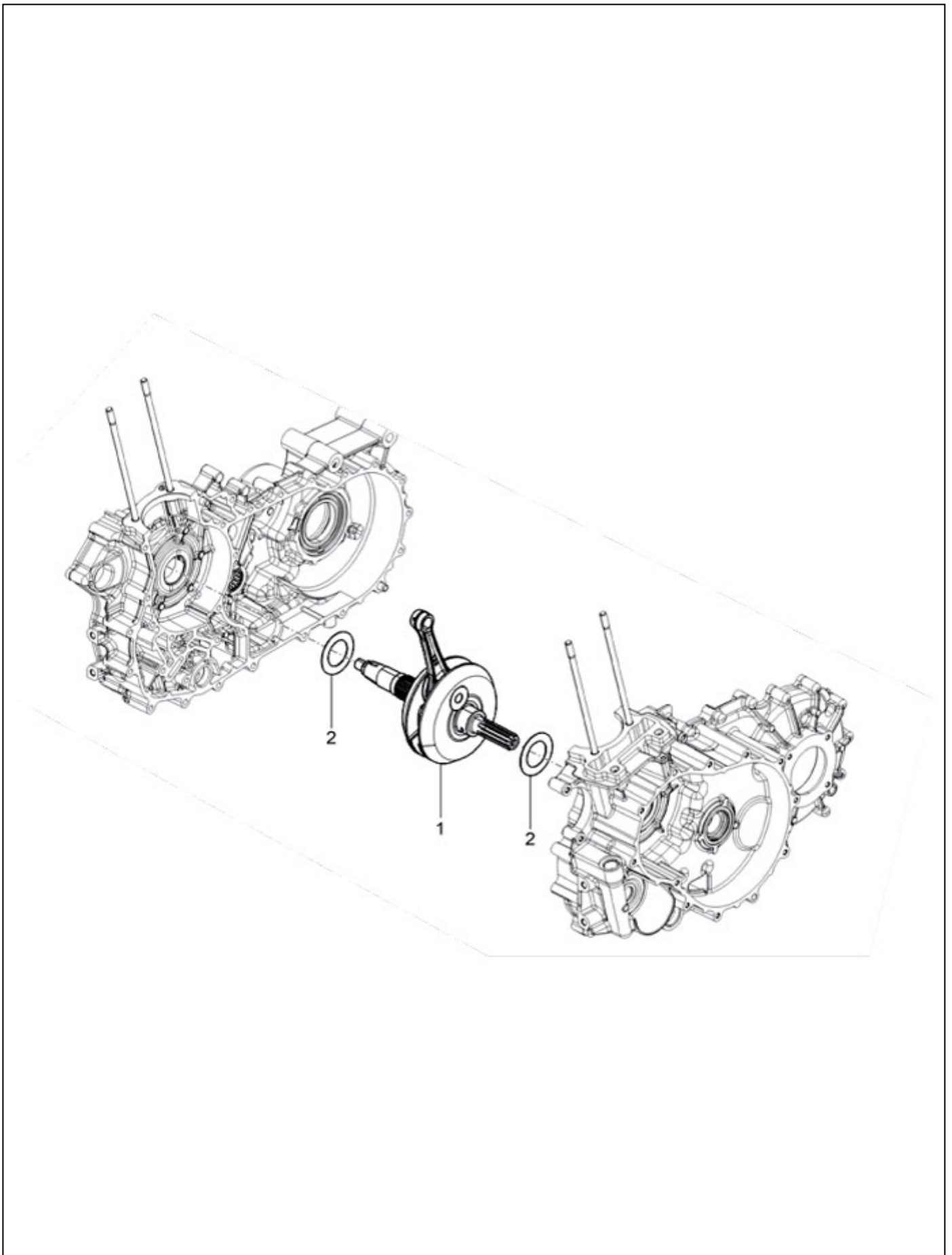


PLATE-3
CRANKSHAFT

Fig. No.	Part No.	Description	Qty	Remarks
1	1A011066	CRANKSHAFT ASSEMBLY	1	
2	B016144	WASHER	2	

PLATE-4
Cylinder Piston Group

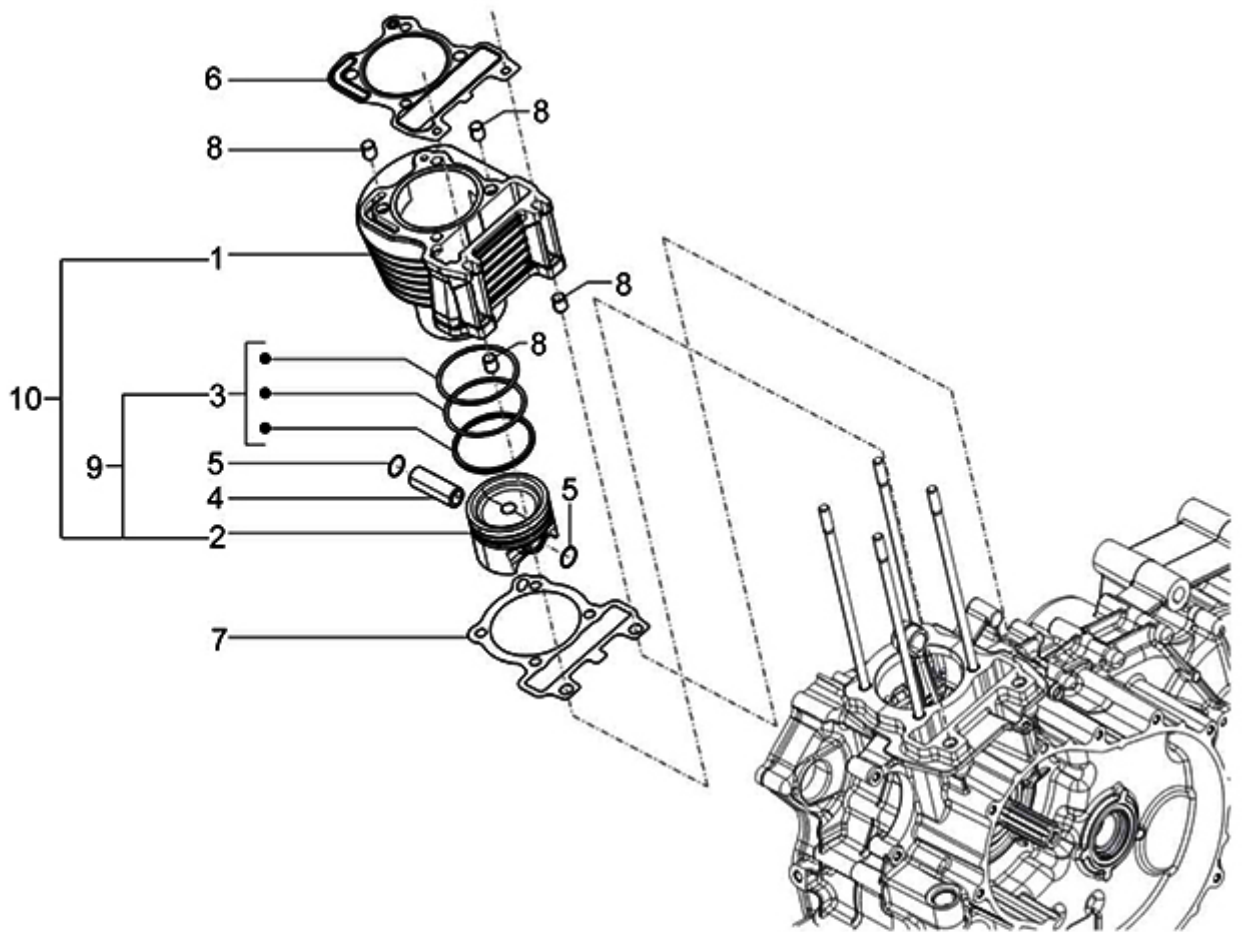


PLATE-4**Cylinder Piston Group**

Fig. No.	Part No.	Description	Qty	Remarks
1	SP1A005855	CYLINDER APE PAX SPD	1	
2	1A018094	PISTON DIA62.6	1	
3	1A009621R	PISTON RING GROUP	1	
4	482335	PISTON PIN	1	
5	963486	CIRCLIP FOR PISTON WRIST	2	
6	B014555	HEAD CYLINDER GASKET	1	
7	CM284002	CRANKCASE/CYLINDER GASKET (0.6)	1	
7	CM284003	CRANKCASE/CYLINDER GASKET (0.8)	1	
7	CM284001	CRANKCASE/CYLINDER GASKET (0.4)	1	
8	435571	REFERENCE DOWEL	4	
9	KIT96055R	PISTON ASSY.APE CITY AND APE CITYPLUS_(PTL BS6)	1	NS- Service under BP Kit
10	KIT96054R	BP KIT APE CITY AND APE CITYPLUS_(PTL BS6)	1	common for BIII

PLATE-5
CYLINDER HEAD UNIT - VALVE

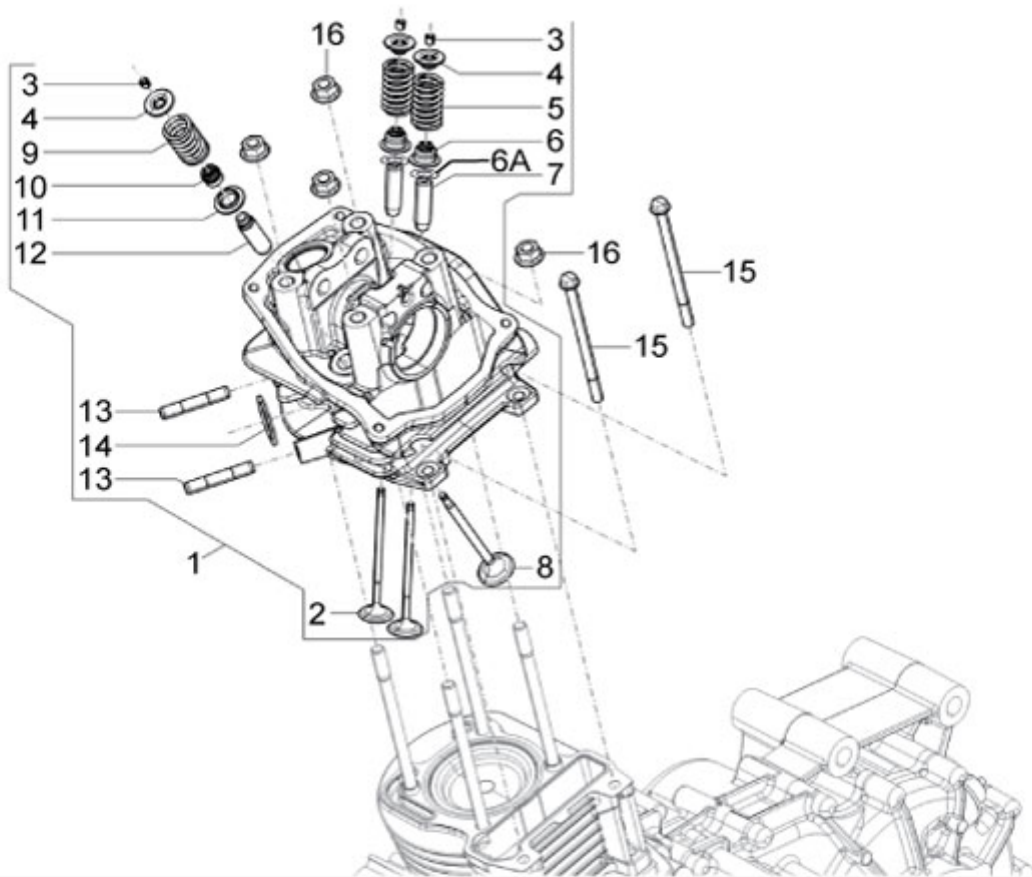


PLATE-5**CYLINDER HEAD UNIT - VALVE**

Fig. No.	Part No.	Description	Qty	Remarks
1	SP1A017573	CYLINDER HEAD ASSY_SPD	1	
2	B014684	INTAKE VALVE Ø20	2	
3	B015288	HALF-CONE	6	
4	B017456	UPPER CUP	3	
5	B014706	VALVE SPRING (INTAKE)	1	
6	843307	VALVE SEAL RING	2	
6A	1A012925	SLIDING WASHER	2	
7	NS	NOT SERVICEABLE	2	
8	B017438	EXHAUST VALVE Ø22	1	
9	B014705	VALVE SPRING (EXHAUST)	1	
10	83054R	VALVE SEAL RING	1	
11	483711	LOWER CUP	1	
12	NS	NOT SERVICEABLE	1	
13	B016368	SPECIAL STUD	2	
14	434716	CYLINDER HEAD/MUFFLER GASKET	1	
15	B018854	HEXAGONAL HEAD FLANGED SCREW M6X90	2	
16	B016939	FLANGED NUT M8X1.25	4	
17	KIT1U000020	SET OF VALVES	1	NI (Consists Of Sr.NO.-2&8)
18	KIT95011R	VALVE SEAL RING SET	1	NI (Consists Of Sr.NO.-10&16)

PLATE-6
ROCKER LEVERS SUPPORT UNIT

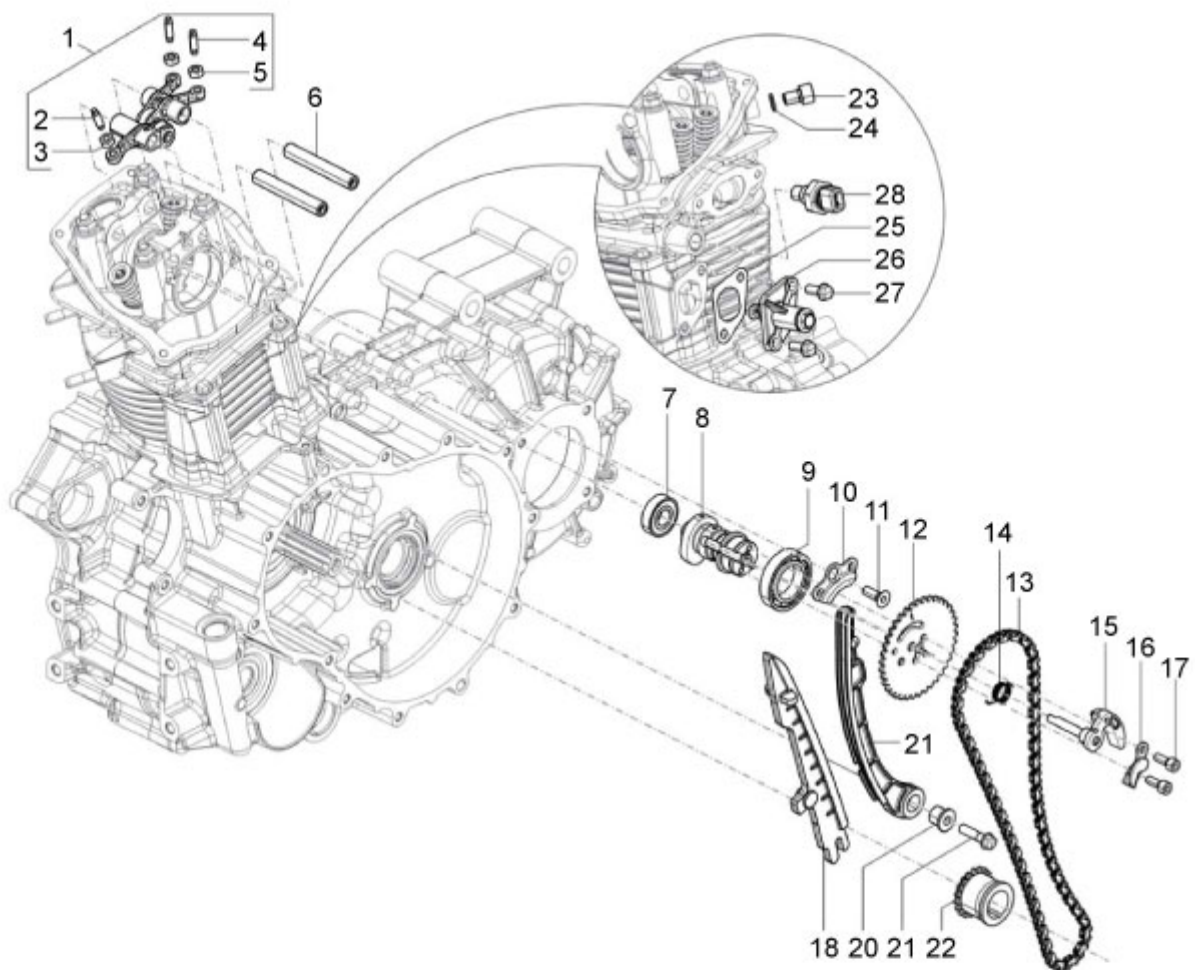


PLATE-6**ROCKER LEVERS SUPPORT UNIT**

Fig. No.	Part No.	Description	Qty	Remarks
1	1A013013	ROCKER ARM GROUP	1	
2	B017323	VALVE ADJUSTMENT SCREW	1	
3	B017431	ROCKER ARM NUT	1	
4	B017323	VALVE ADJUSTMENT SCREW	2	
5	B017431	ROCKER ARM NUT	2	
6	B017113	ROCKER ARM SHAFT	2	
7	83040R	DEEP GROOVE BALL BEARING	1	
8	B017746	CAMSHAFT WITH I.P.	1	
9	83041R	DEEP GROOVE BALL BEARING	1	
10	B014760	CAMSHAFT CONTAINMENT SHEET-STEEL	1	
11	B018946	COUNTERSUNK SCREW M6X18	1	
12	1A002358	TIMING CROWN	1	
13	B017746	CAMSHAFT WITH I.P.	1	
14	B015483	DECOMPRESSION SPRING	1	
15	SP1A006405	CENTRIFUGAL MASS WITH I.P.	1	
16	1A008397	CENTRIFUGAL MASS CONTAINMENT SHEET	1	
17	B018718	EXAG. SOCKET CYLIND.HEAD SCREW M5X14	2	
18	1A006899	FIXED PAD	1	
19	1A006901	CHAIN TIGHTENING ROD	1	
20	485868	SPACER FOR CHAIN TIGHTNING ROD	1	
21	B016774	FLANGED HEXAGONAL SCREW M6X25	1	
22	1A007565	TIMING PINION	1	
23	269755	SOCKET HEAD SCREW (M8X12)	1	
24	485703	WASHER	1	
25	847928	CHAIN SUPPORT GASKET	1	
26	B017165	CHAIN TENSIONER DEVICE	1	
27	434541	SCREW	2	
28	58273R	THERMIC SENSOR	1	Not Applicable
29	KIT95012R	CENTRIFUGAL MASS KIT	1	NS

PLATE-7
CYLINDER HEAD COVER

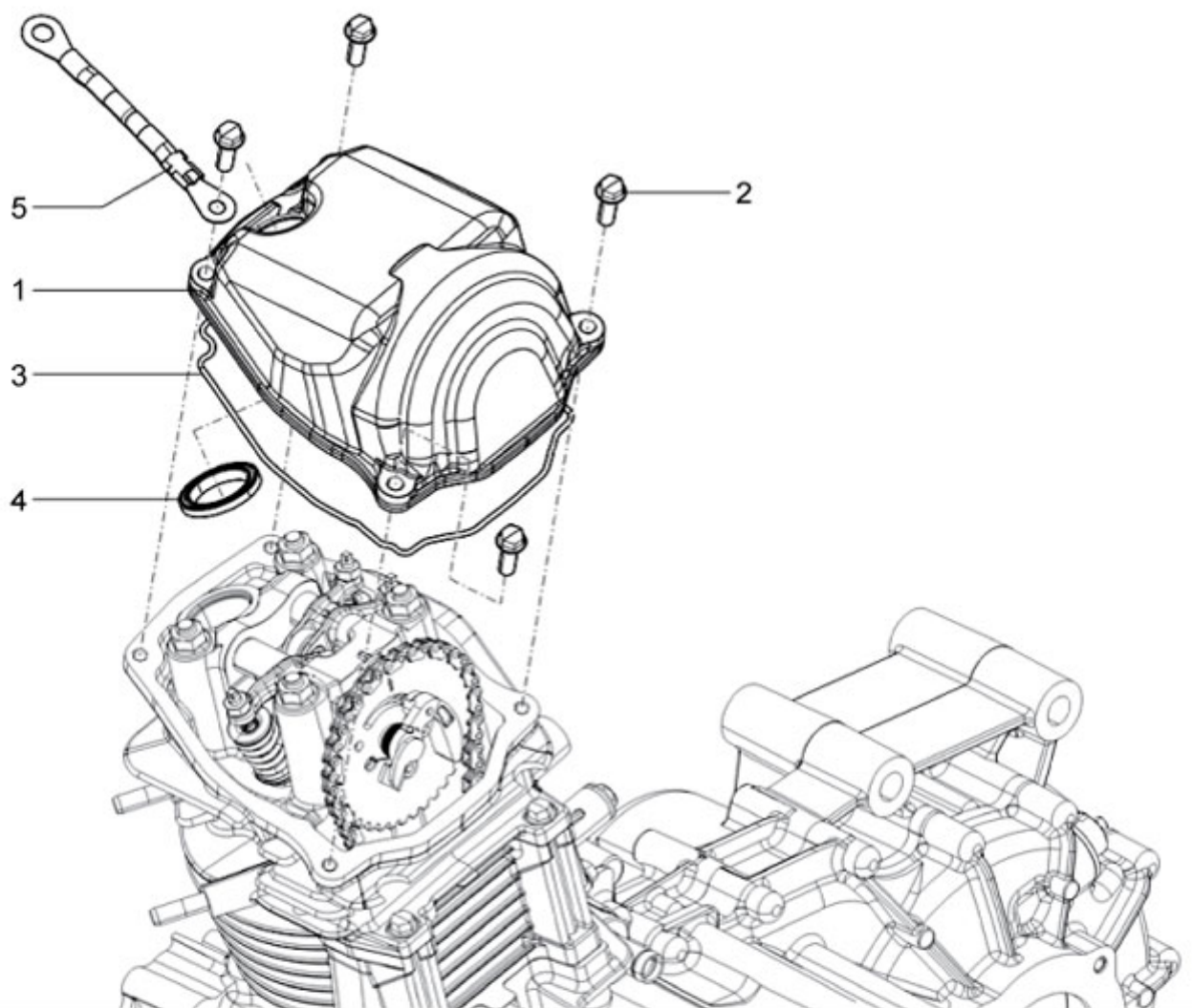


PLATE-7
CYLINDER HEAD COVER

Fig. No.	Part No.	Description	Qty	Remarks
1	1A006545	HEAD COVER	1	
2	018639	SCREW M6X20	4	
3	B018533	CYLINDER HEAD COVER GASKET	1	
4	B014732	SPARK PLUG HOLE GASKET	1	
5	1D001894	GROUND WIRE	1	

PLATE-8
OIL PUMP

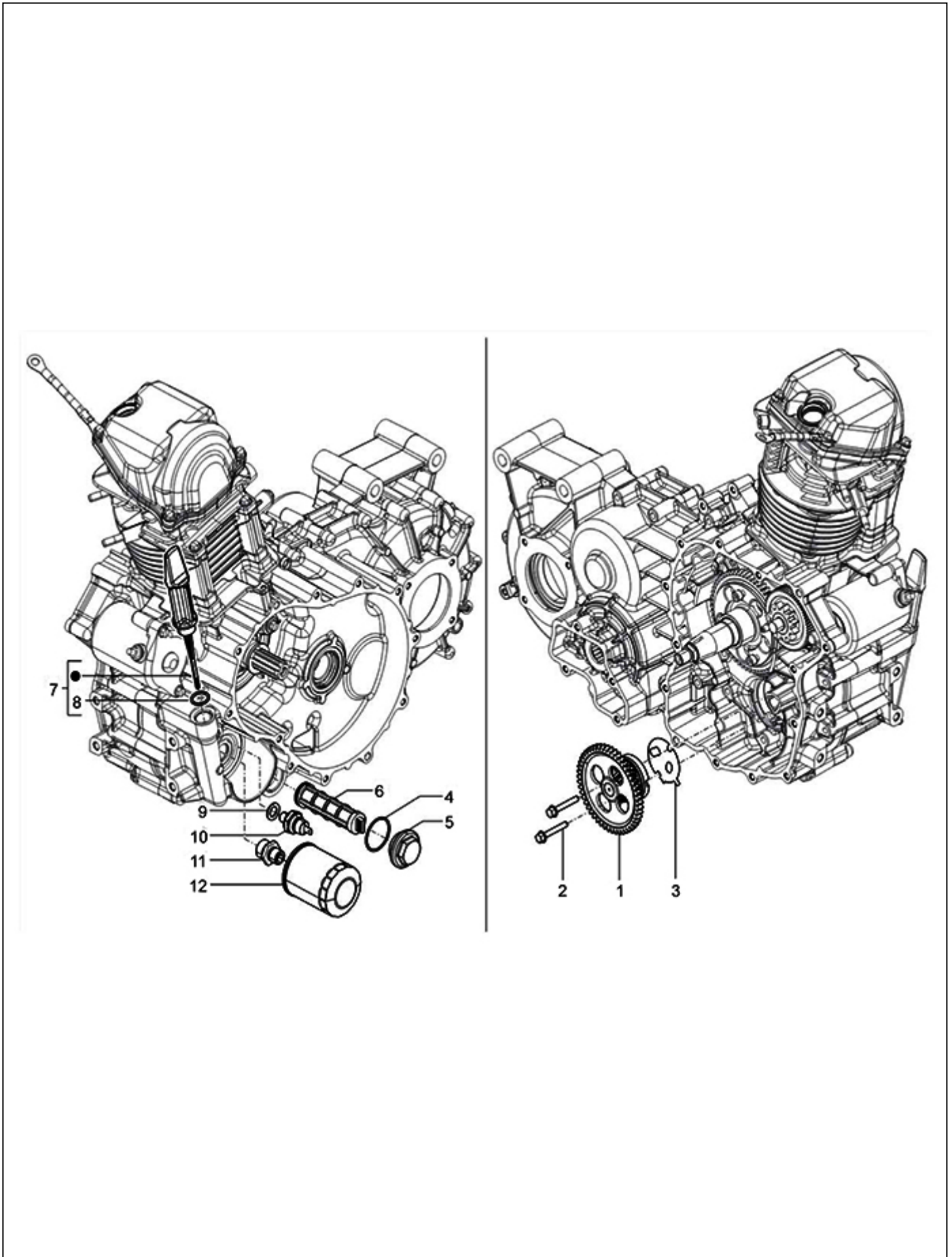


PLATE-8
OIL PUMP

Fig. No.	Part No.	Description	Qty	Remarks
1	1A006877	OIL PUMP ASSY	1	
2	1A016737	FLANGED HEXAGONAL HEAD SCREW	2	
3	B015943	CRANKCASE/ OIL PUMP GASKET	1	
4	285536	O-RING GASKET 31.47X1.78	1	
5	B015598	OIL FILTER PLUG	1	
6	1A006812	COMPLETE INTAKE OIL FILTER	1	
7	1A007047	OIL DIPSTICK COMPLETE	1	
8	479986	O-RING GASKET	1	
9	1A011500	WASHER	1	
10	1D001138	MINIMUM PRESSURE OIL SWITCH	1	
11	1A009762	OIL FILTER SCREW	1	
12	82635R	COMPLETE OIL FILTER	1	

PLATE-9

STARTER - ELECTRIC STARTER

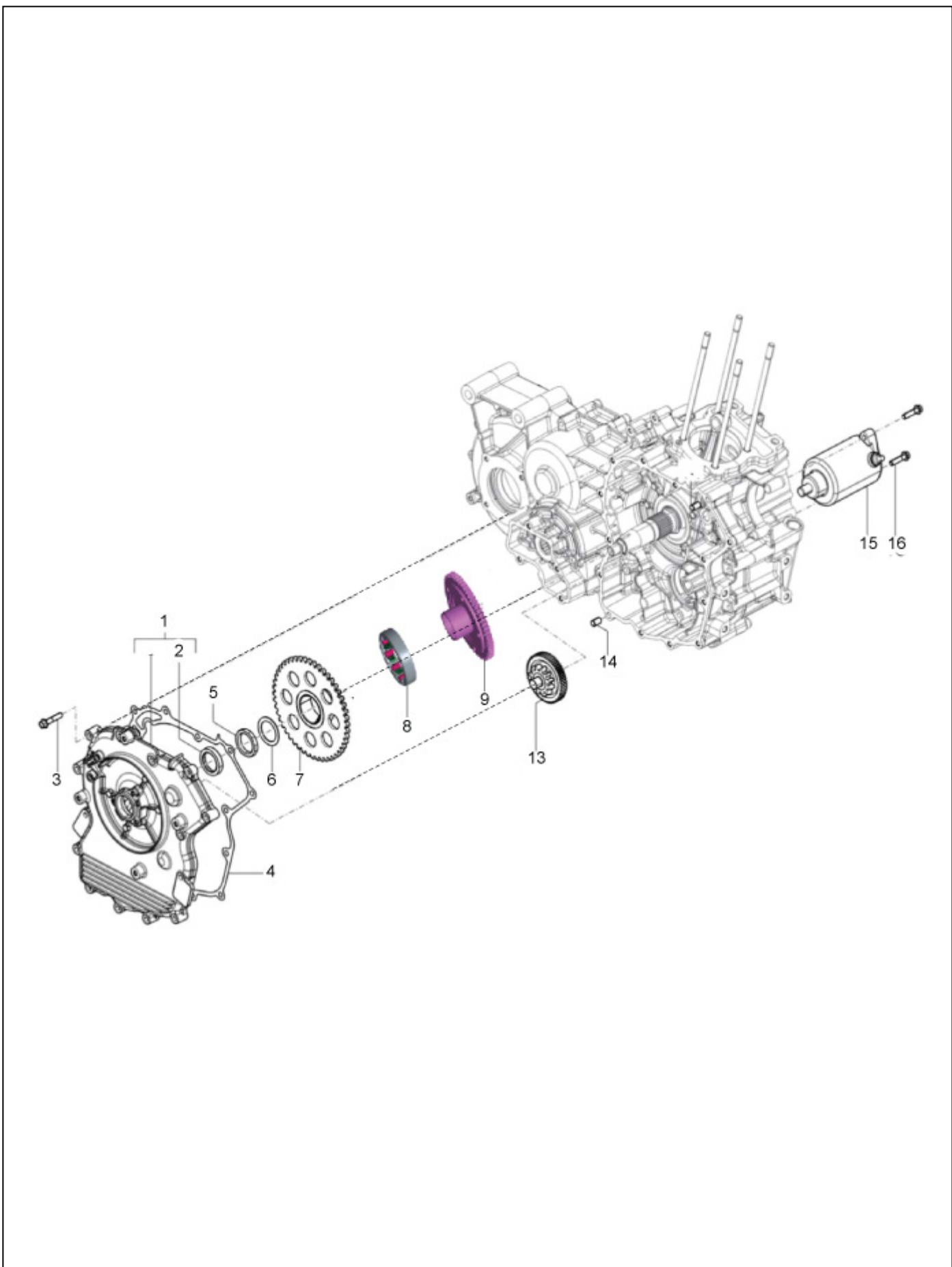


PLATE-9**STARTER - ELECTRIC STARTER**

Fig. No.	Part No.	Description	Qty	Remarks
1	SP1A007045	STARTER COVER WITH I.P.	1	
2	B016120	SEAL RING 25X35X7	1	
3	B018853	FLANGED HEXAGONAL HEAD SCREW M6X30	14	
4	1A006858	STARTER COVER GASKET	1	
5	1A021204	RING NUT	1	
6	B016148	WASHER	1	
7	1A018038	CROWN ELECTRIC STARTER WITH I.P.	1	
8	1A020456	ONE WAY CLUTCH ASSY	1	
9	1A018212	CUM CLUTCH HUB	1	
10	1A009592	O-RING KIT	1	NI
11	1A009593	THRUST WASHER KIT	1	NI
12	SP41A020456	ONE WAY CLUTCH HUB ASSY - 230CC SPD	1	Consists of Part 7,8 & 9
13	B017189	ELECTRIC STARTER INTERMED GEAR WITH P.I.	1	
14	1A000708	DOWEL (Ø7,5, H=12)	2	
15	1A018642R	ELECTRIC STARTER MOTOR	1	
16	B016774	FLANGED HEXAGONAL SCREW M6X25	2	
17	1A009591	HEXAG. HEAD SCREW	1	NI
18	1A009586	REAR BRACKET ASSY	1	NI
19	1A009587	BRUSH ASSLY KIT (+VE & -VE)	1	NI
20	1A009588	ARMATURE ASSLY	1	NI
21	1A009589	YOKE ASSLY	1	NI
22	1A009590	FRONT BRACKET ASSLY	1	NI

PLATE-10

FLYWHEEL_A.C GENERATOR ASSY.

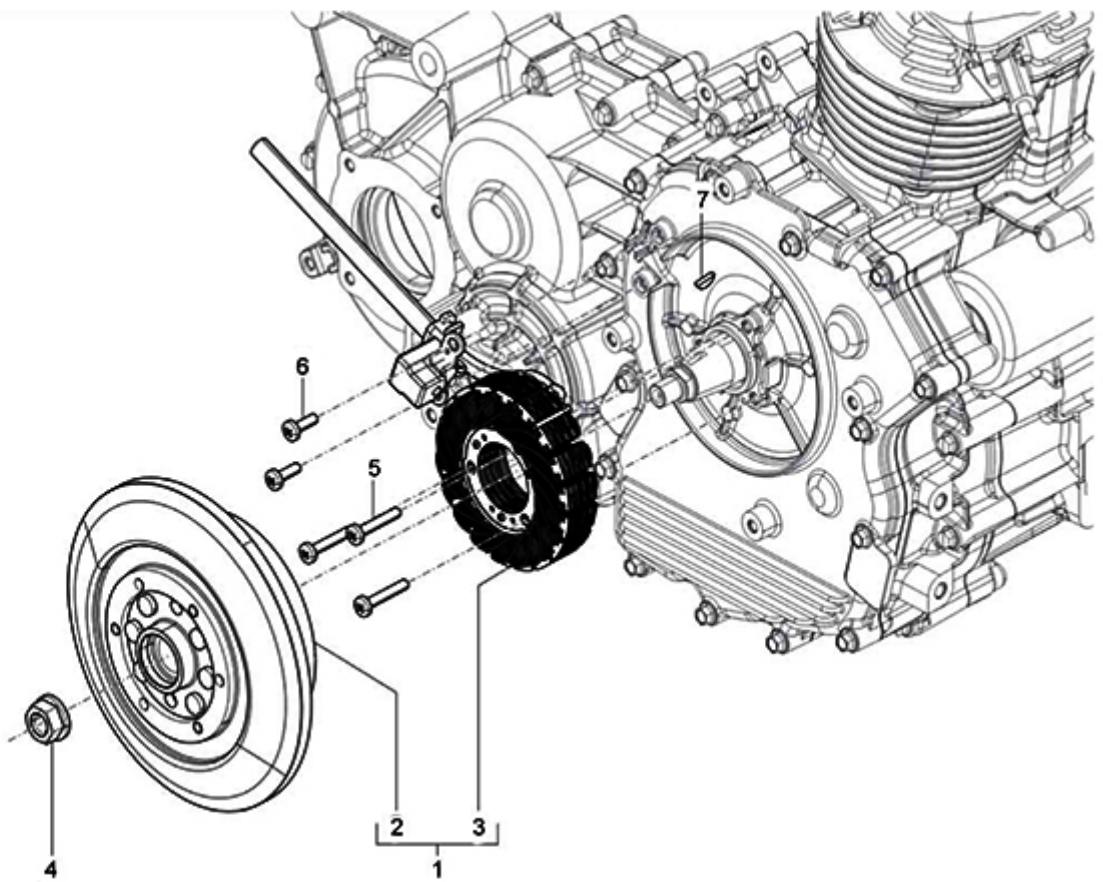


PLATE-10**FLYWHEEL_A.C GENERATOR ASSY.**

Fig. No.	Part No.	Description	Qty	Remarks
1	1D001847	COMPLETE A.C.GENERATOR	1	
2	1A008672	ROTAR ASSY WITH HUB	1	
3	1D001846	COMPLETE STATOR	1	
4	1A006988	NUT WITH SPRING WASHER	1	
5	1A001073	TORX HEAD SCREW M5X16	3	
6	1A013159	TORX HEAD SCREW M5X22	2	
7	000267	WOODRUFF KEY	1	NI

PLATE-11

FAN COVER & SHROUD ASSY.

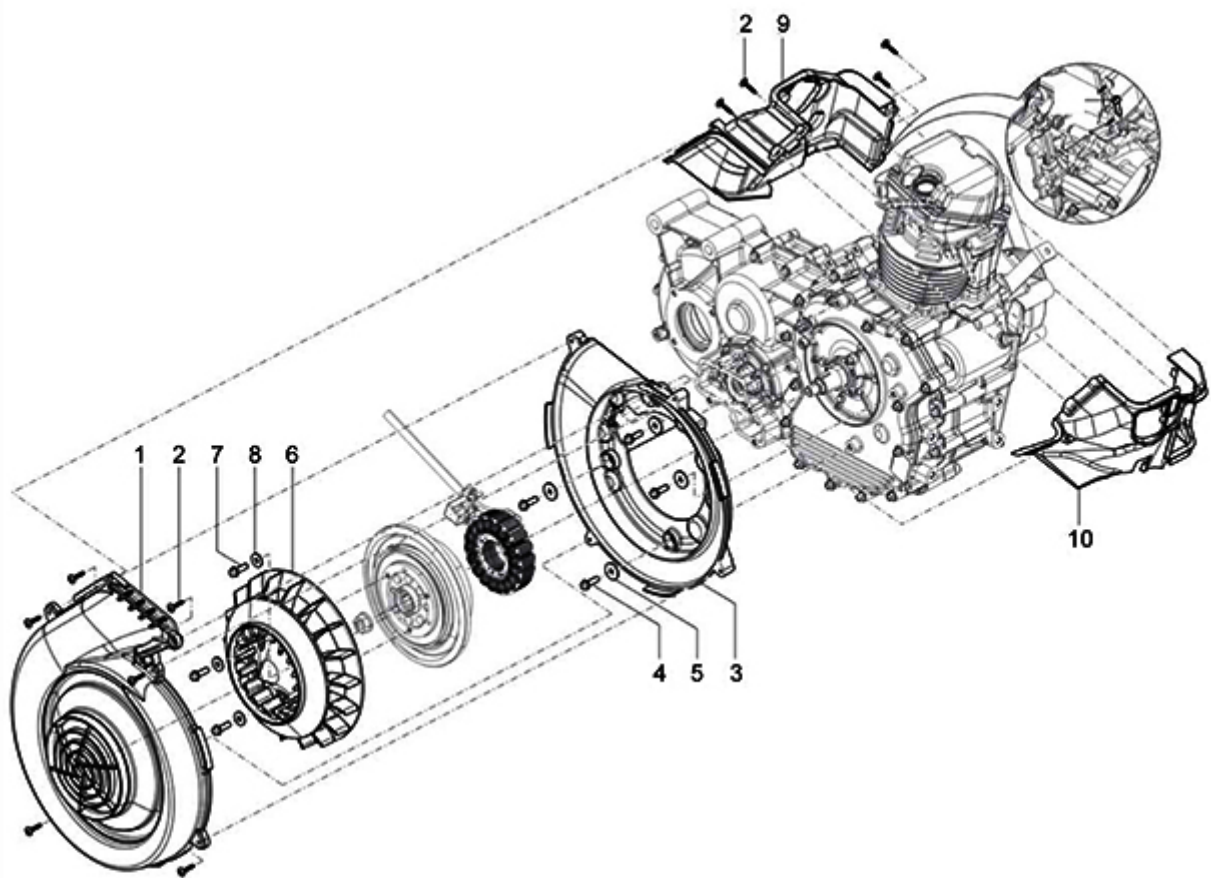


PLATE-11**FAN COVER & SHROUD ASSY.**

Fig. No.	Part No.	Description	Qty	Remarks
1	1A010001	FAN COVER	1	
2	1A000024	SELF TAPPING SCREW (3X20)	10	
3	1A006742	FAN COVER SUPPORT	1	
4	018639	SCREW M6X20	4	
5	B016192	WASHER 6.2X20X2	4	
6	1A000831	ASSY FAN	1	
7	1A002691	FLANGED HEX HEAD SCREW M6X20 CL10	3	
8	B019047	WASHER	3	
9	1A006743	COMPLETE SHROUD INTAKE SIDE	1	
10	1A006740	SHROUD EXHAUST SIDE	1	
11	B016620	SCREW WITH CYLINDRICAL HEAD M5X21	1	

PLATE-12
GEAR-BOX COMPONENTS & GEAR SHIFTER

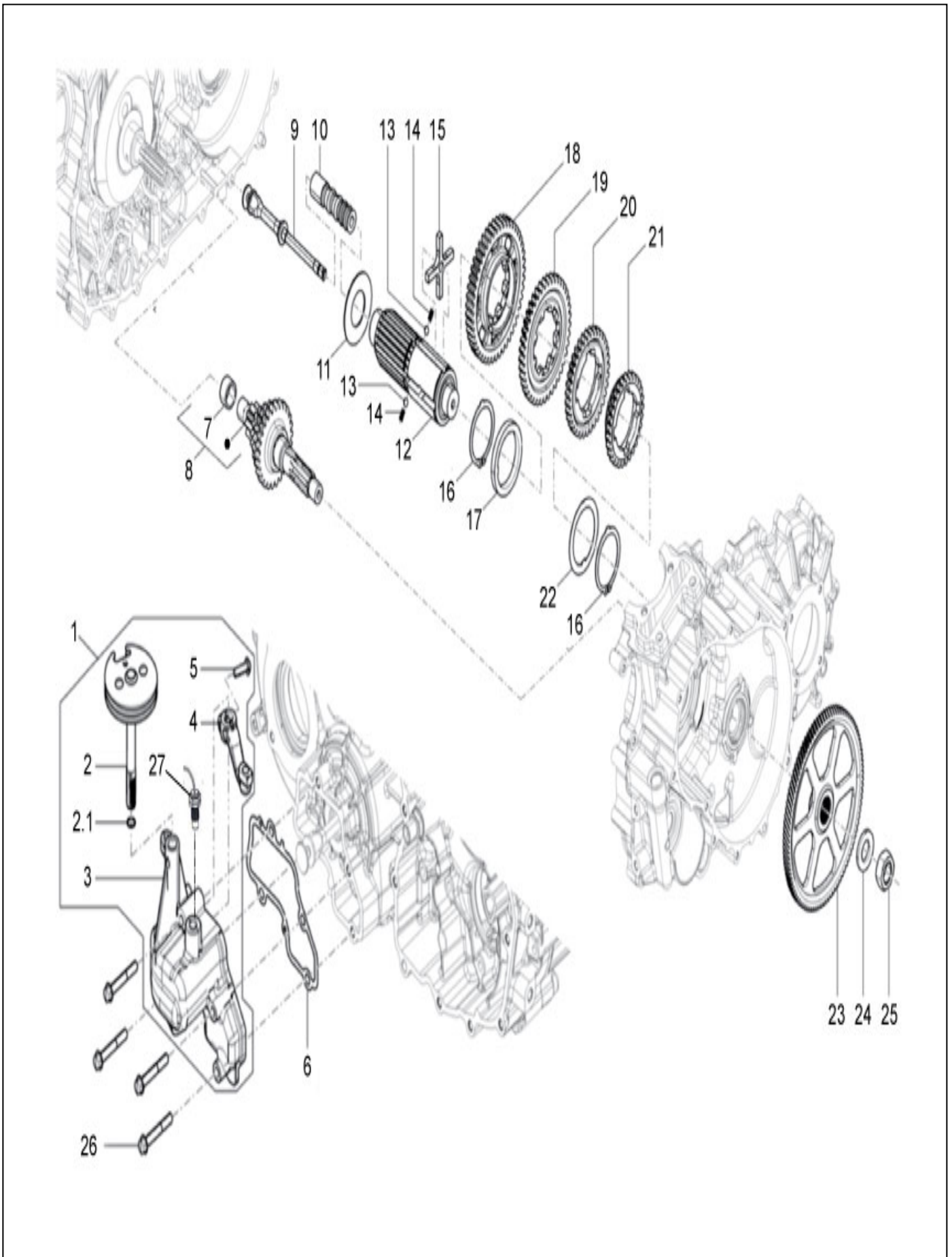


PLATE-12**GEAR-BOX COMPONENTS & GEAR SHIFTER**

Fig. No.	Part No.	Description	Qty	Remarks
1	SP1A011650	COMPLETE GEAR SHIFTER ASSY	1	
2	1A010035	COMPLETE SECTOR WITH SHAFT	1	
2.1	1A005178	O- RING	1	
3	1A012182	GEAR SHIFTER HOUSING	1	
4	SP1A007579	COMPL. INVERTER LEVER SECTOR(BSIV)- SPD	1	
5	1A001073	TORX HEAD SCREW M5X16	1	
6	1A012334	GASKET GEAR SHIFTER HOUSING	1	
7	122032014	INNER RING - CLUSTER GEAR	1	
8	SP1A014870	CLUSTER GEAR WITH I.P.	1	
9	1A012181	STEM	1	
10	1A012846	BUSH GEAR SHIFTER	1	
11	1A007029	LOCK WASHER	1	
12	1A017112	SECONDARY GEAR SHAFT	1	
13	002139	BALL	2	
14	1A006970	SPRING	2	
15	1A010166	CROSS	1	
16	009101	SEEGER RING	2	
17	1A006701	LOCK WASHER	1	
18	1A014871	SPEED GEAR 1ST	1	
19	1A014872	SPEED GEAR 2ND	1	
20	1A014873	SPEED GEAR 3RD	1	
21	1A014874	SPEED GEAR 4TH	1	
22	1A006115	LOCK WASHER	1	
23	NS	NOT SERVICEABLE	1	
24	B018464	BELLEVILLE SPRING	1	
25	21118	HEX NUT M18 X 1.5P	1	
26	B016611	FLANGED HEX. HEAD SCREW M6X45 CL10	4	
27	1A010016	NEUTRAL SWITCH	1	

PLATE-13

CLUTCH ASSY & CLUTCH COVER

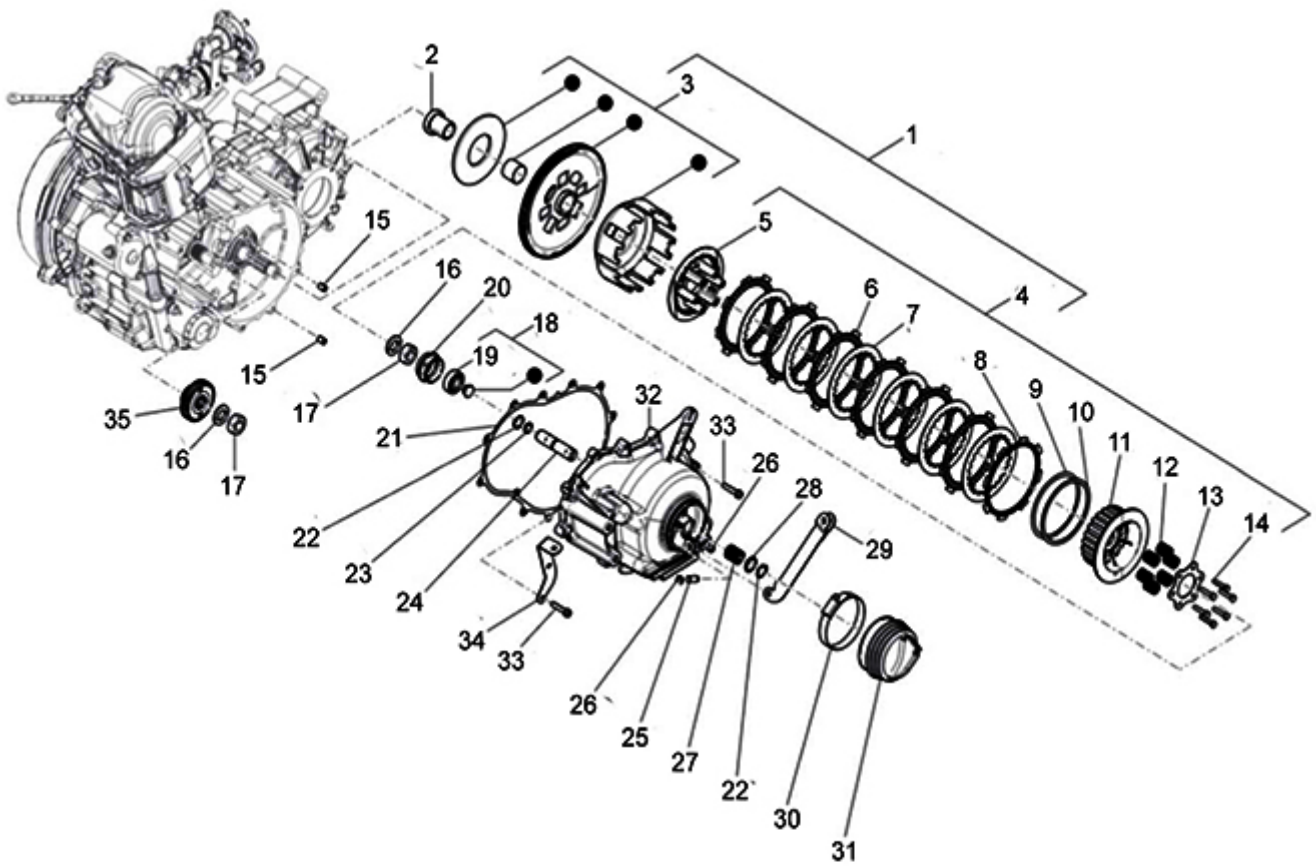


PLATE-13**CLUTCH ASSY & CLUTCH COVER**

Fig. No.	Part No.	Description	Qty	Remarks
1	1A010119	CLUTCH ASSY	1	
2	1A010461	SPACER	1	
3	1A012150	HOUSING CLUTCH ASSY	1	
4	1A012151	PLATE CLUTCH ASSY	1	
5	1A012157	WHEEL CLUTCH	1	
6	1A012153	FRICTION PLATE	6	
7	1A012155	PLATE CLUTCH	6	
8	1A012154	RED FRICTION PLATE	1	
9	1A012159	ANTI-JUDDER SPRING	1	
10	1A012160	ANTI-JUDDER WASHER	1	
11	1A012152	HUB CLUTCH	1	
12	1A012156	COMPRESSION SPRING	6	
13	1A012158	HOLDER CLUTCH	1	
14	1A012161	BOLT M5	1	
15	1A000708	DOWEL (Ø7,5, H=12)	2	
16	B018464	BELLEVILLE SPRING	2	
17	1A012845	HEX. NUT M16X1.25	2	
18	SP1A010560	CLUTCH PRESSURE BUSH WITH I.P.	1	
19	478261	PULLEY SHAFT BEARING	1	
20	1A010540	CLUTCH PRESSURE PLATE	1	
21	1A011940	CLUTCH COVER GASKET	1	
22	842001600	CIRCLIP DIA.16(EXT)	2	
23	B019220	O- RING (PLUNGER SHAFT)	1	
24	1A010548	PLUNGER SHAFT	1	
25	127013013	PIN CLUTCH	1	
26	843000809	CIRCLIP DIA.8(EXT) TYPE C	2	
27	127185012	SPRING - CLUTCH COVER	1	
28	120164019	RETAINING PLATE	1	
29	127460010	LINK ASSLY - CLUTCH (IMPROVED)	1	
30	120170018	HOSE CLIP - CLUTCH COVER BELOW	1	
31	127012019	BELLOW CLUTCH ACTUATING	1	
32	1A010136	CLUTCH COVER	1	
33	B018853	FLANGED HEXAGONAL HEAD SCREW M6X30	12	
34	1A008077	SUPPORT BRACKET STARTER MOTOR CABLE	1	
35	1A010208	ENGINE GEAR	1	

PLATE-13

CLUTCH ASSY & CLUTCH COVER

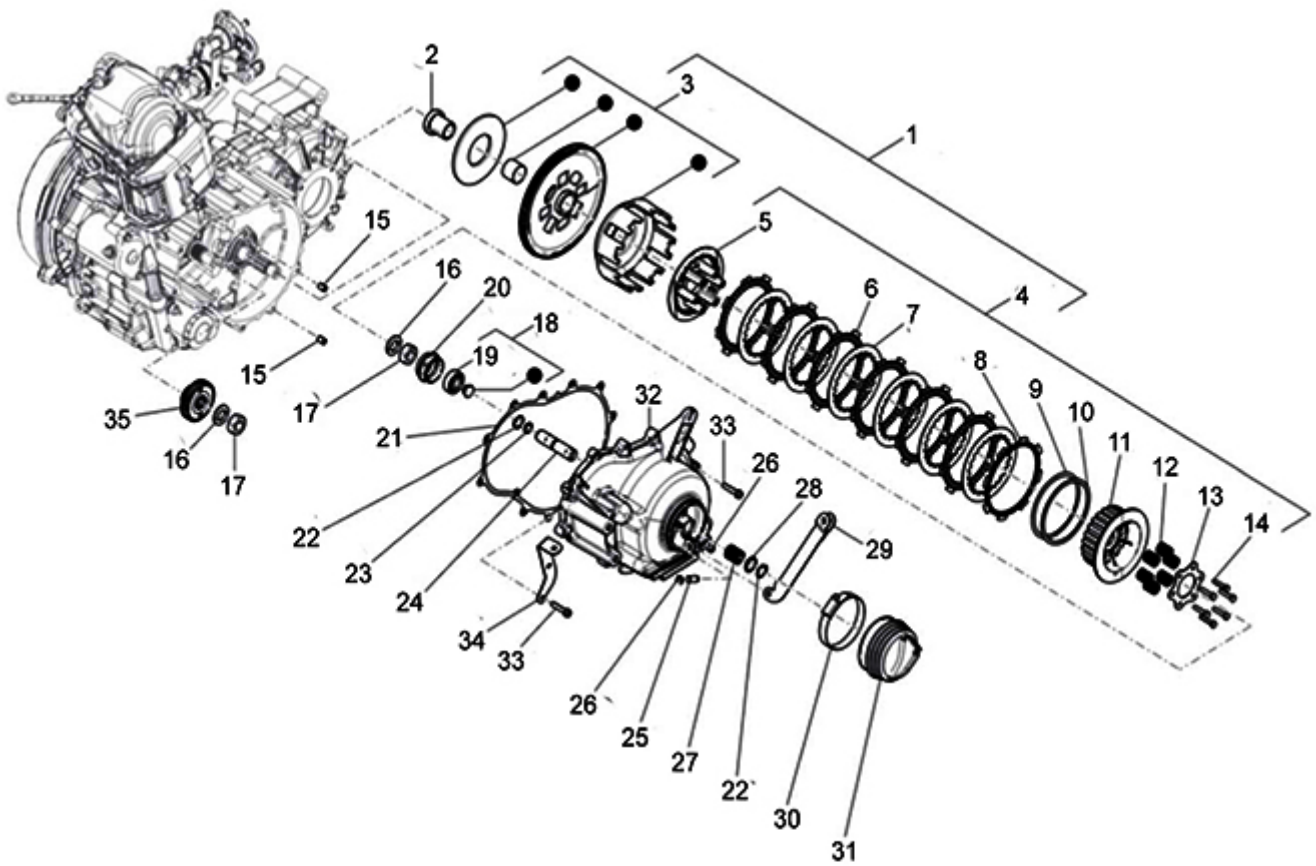


PLATE-13**CLUTCH ASSY & CLUTCH COVER**

Fig. No.	Part No.	Description	Qty	Remarks
36	KIT95131R	KIT CLUTCH PLATE SET FOR STEP-2 ENG. AF	1	Complete Clutch Plate Set (NI

PLATE-14
DIFFERENTIAL

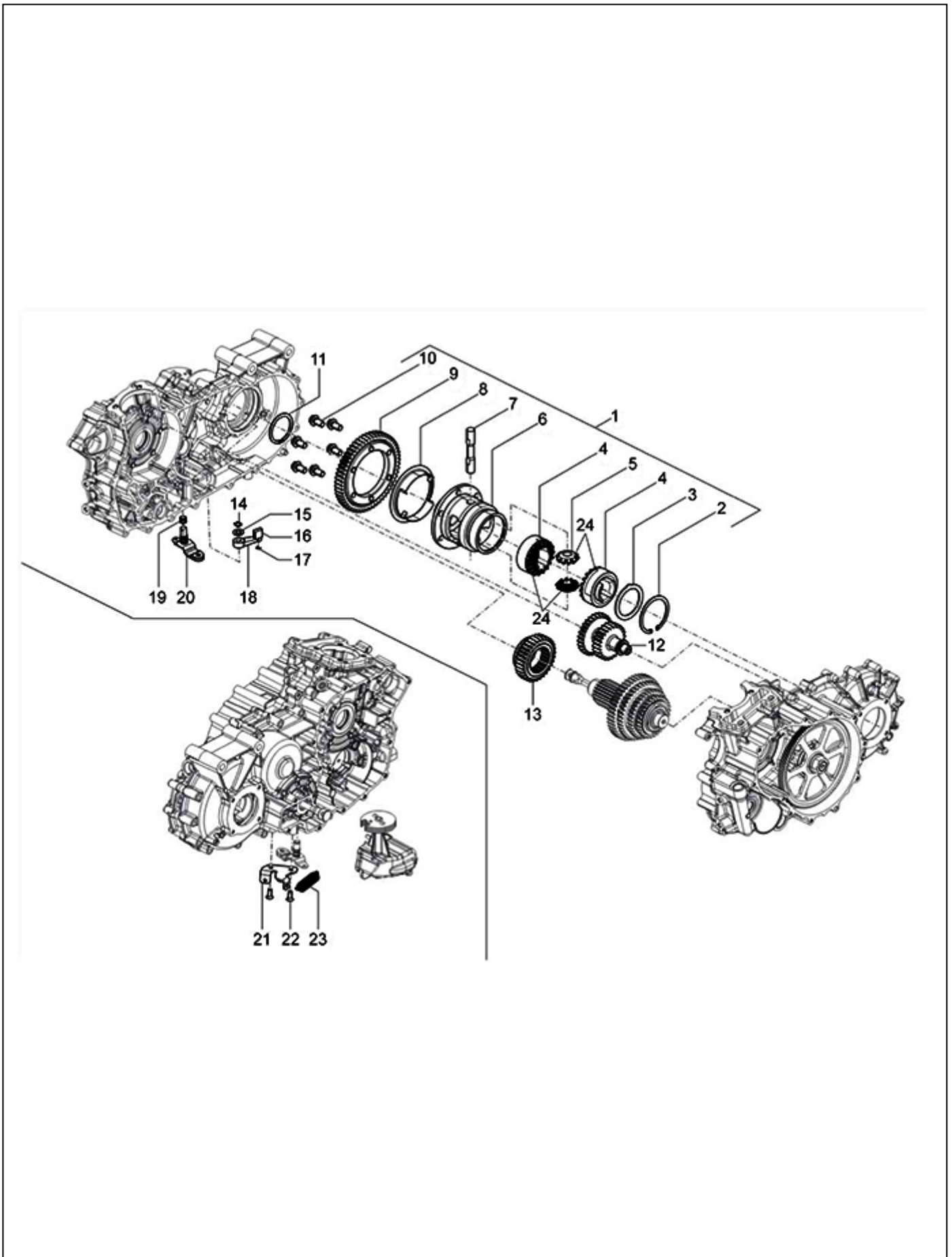


PLATE-14
DIFFERENTIAL

Fig. No.	Part No.	Description	Qty	Remarks
1	SPCM308402	COMPLETE DIFFERENTIAL GEAR	1	PTL
2	132134	CIRCLIP	1	
3	220575	WASHER 65X3	1	
4	132136R	GEAR SUN	2	SERVICE IN SET (940028)
5	165155R	DIFFERENTIAL GEAR	2	SERVICE INSET (940028)
6	288730	DIFFERENTIAL CAGE	1	
7	132129	PIN	1	
8	1A011778	SATELLITE PIN RETAINER	1	
8A	1A000612	RETAINER SCREW - PRE COATED	2	
9	CM308302	DIFFERENTIAL CROWN	1	PTL
10	1A004807	SCREW	6	
11	6450	EXT CIRCLIP DIA 48	1	
12	1A008547	REVERSE GEAR	1	PTL
13	1A010632	SLIDING GEAR	1	PTL
14	006410	CIRCLIP	1	
15	1A007501	PLANE WASHER	1	
16	1A007051	SLIDER	1	PTL
17	843000500	CIRCLIP DIA.5 (EXT) TYPE C	1	
18	1A007605	GEAR SHIFTER LEVER	1	
19	1A005176	O- RING	2	
20	1A009093	INVERTER LEVER SECTOR WITH P.I.	1	
21	1A008804	REVERSE CABLE REACTION BRACKET	1	
22	1A016964	CSK PHILIPS HEAD SCREW	2	
23	127111011	REVERSE GEAR SPRING	1	
24	940028	GEAR SUN AND DIFFERENTIAL GEAR	1	

PLATE-15

AIR FILTER & INTAKE SYSTEM

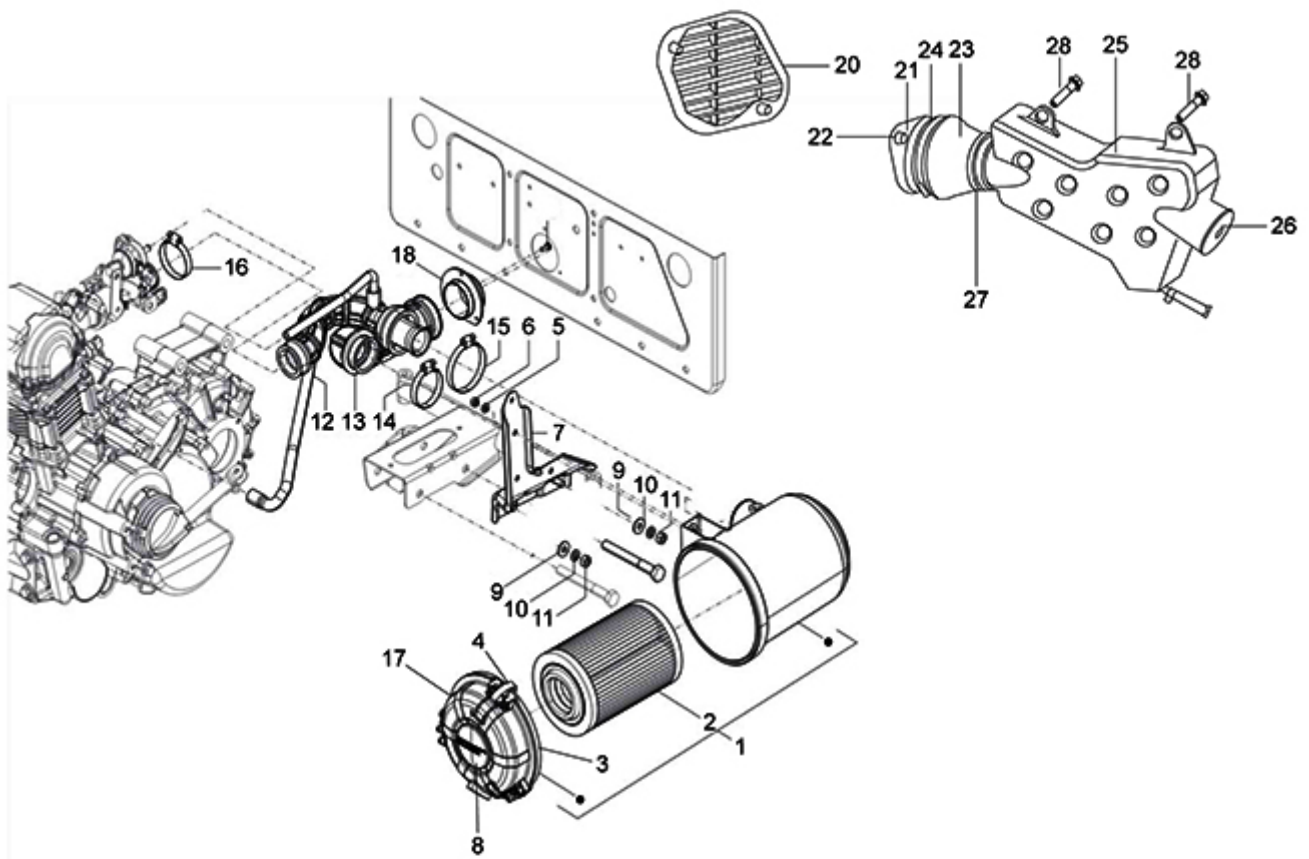


PLATE-15**AIR FILTER & INTAKE SYSTEM**

Fig. No.	Part No.	Description	Qty	Remarks
1	B073441	AIR FILTER ASSLY.W/O BKT	1	
2	B076112	AIR FILTER ELEMENT	1	
3	940072	AIR FILTER COVER GASKET	1	
4	920088	CLAMP	3	
5	016406	SPRING WASHER	1	
6	20106	HEX NUT M6	1	
7	B076111	BRACKET AIR FILTER SUPPORT COMPLETE	1	Under Development
8	940071	DUST VALVE	1	
9	2383	PLAIN WASHER M20X8.5X2	2	
10	016408	SPRING WASHER	2	
11	20108	HEX NUT M8	2	
12	1A007488	CARBURATOR /AIR BOX COUPLING	1	
13	1A007489	AIR CLEANER/VEHICLE MANIFOLD	1	
14	604756	HOSE CLIP	1	
15	604553	WORM CLIP	1	
16	604756	HOSE CLIP	1	
17	940069	AIR FILTER COVER-(UG)	1	
18	6A000200	AIR RESTRICTOR	1	
19	660168	PAN SELF TP. SCREW 10 SGX13AB	3	
20	B074971	INTAKE GRILL FOR SNORKEL SYSTEM	1	
21	B074970	ADAPTER FOR SNORKEL AIR INTAKE	1	
22	D9004159230	SCREW, W / WASHER	1	
23	1A006592	AIR CLEANER/VEHICLE MANIFOLD	1	
24	1A007153	HOSE CLAMP	1	
25	1A006593	PIPE COOL AIR INTAKE	1	
26	1A007635	DAMPING RING	1	
27	B076918	HOSE CLIP (FORDIA 42-55)	1	
28	645037	HEX HEAD SCREW M8 X 22 CL 8.8	3	

PLATE-16

INTAKE FITTING - CARBURETOR

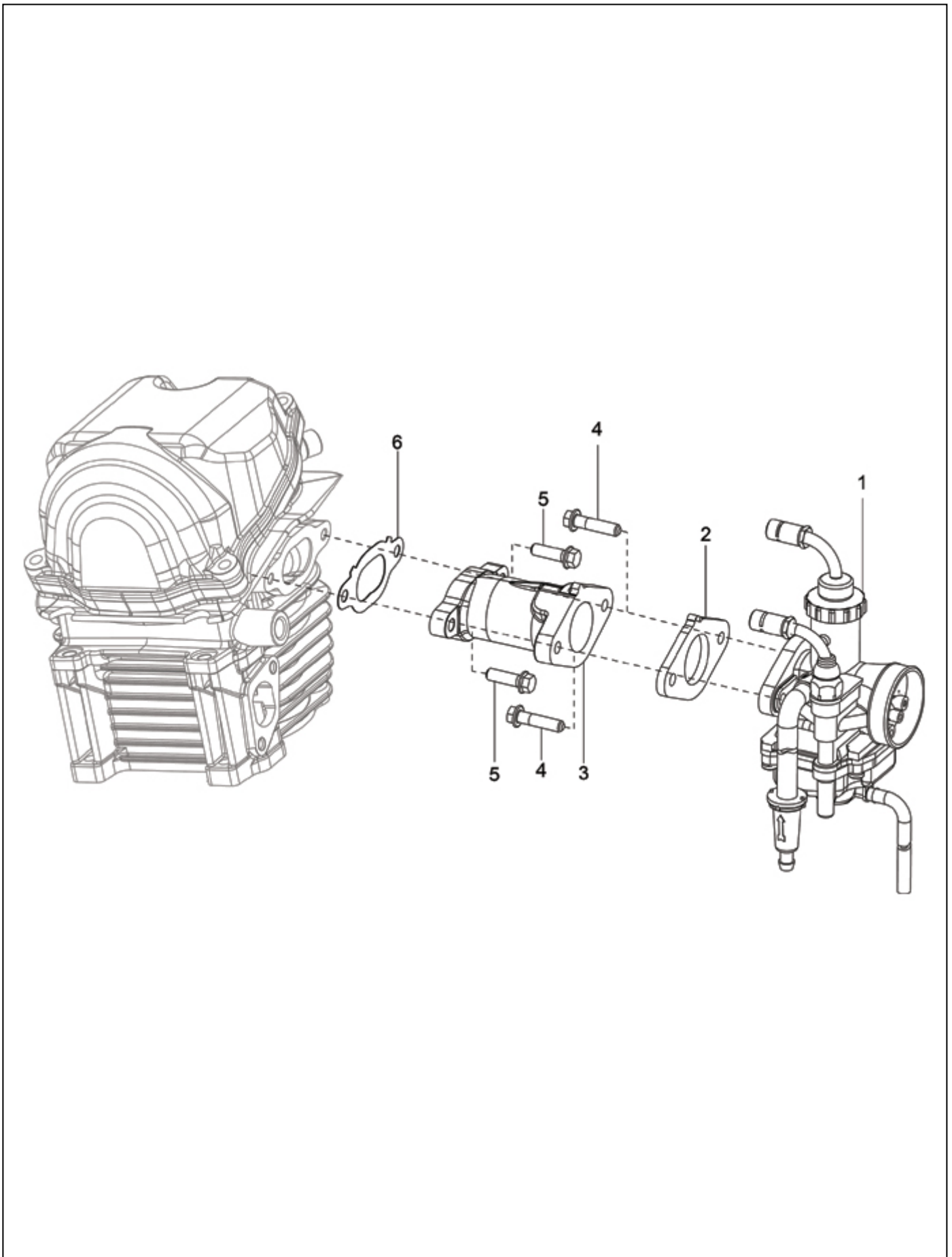


PLATE-16**INTAKE FITTING - CARBURETOR**

Fig. No.	Part No.	Description	Qty	Remarks
1	CM284102	CARBURETOR-PTL	1	PTL
2	B015543	COMPLETE INTAKE FITTING SUPPORT	2	PTL
3	1A009632	INTAKE FITTING-PLT	1	
4	B016774	FLANGED HEXAGONAL SCREW M6X25	2	
5	018639	SCREW M6X20	1	
6	B018442	INTAKE FITTING GASKET	2	

PLATE-17
SILENCER

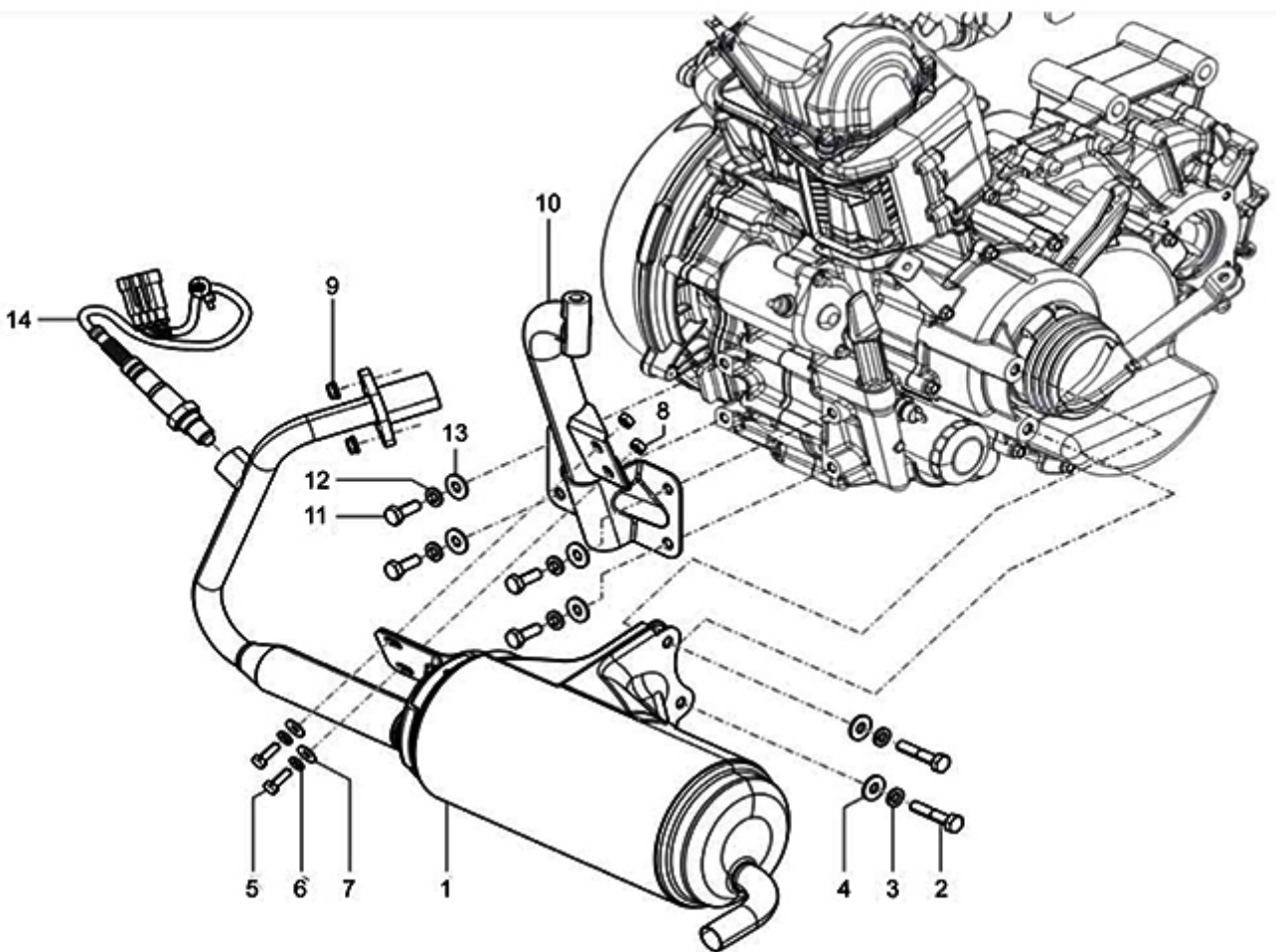


PLATE-17
SILENCER

Fig. No.	Part No.	Description	Qty	Remarks
1	1A021042	COMPLETE MUFFLER	1	
2	30074	HEX HEAD BOLT M8 X 40 CL 8.8	2	
3	16408	SPRING WASHER M8	2	
4	2383	PLAIN WASHER M20X8.5X2	2	
5	31089	HEX HEAD SCREW M6X18 CL 8.8	2	
6	16406	SPRING WASHER M6 OD12	2	
7	13880	METALIC PLAIN WASHER	2	
8	20106	HEX NUT M6	2	
9	436947	FLANGED NUT M7X1 H=8	2	
10	B075593	BKT SUB ASSLY ENGINE SUPPORT REAR	1	
11	B076143	HEX HEAD BOLT M8 X 25	4	
12	16408	SPRING WASHER M8	4	
13	2383	PLAIN WASHER M20X8.5X2	4	
14	1A014335	LAMBDA SENSOR	1	Not Applicable

PLATE-18
COMPLETE H.T. COIL

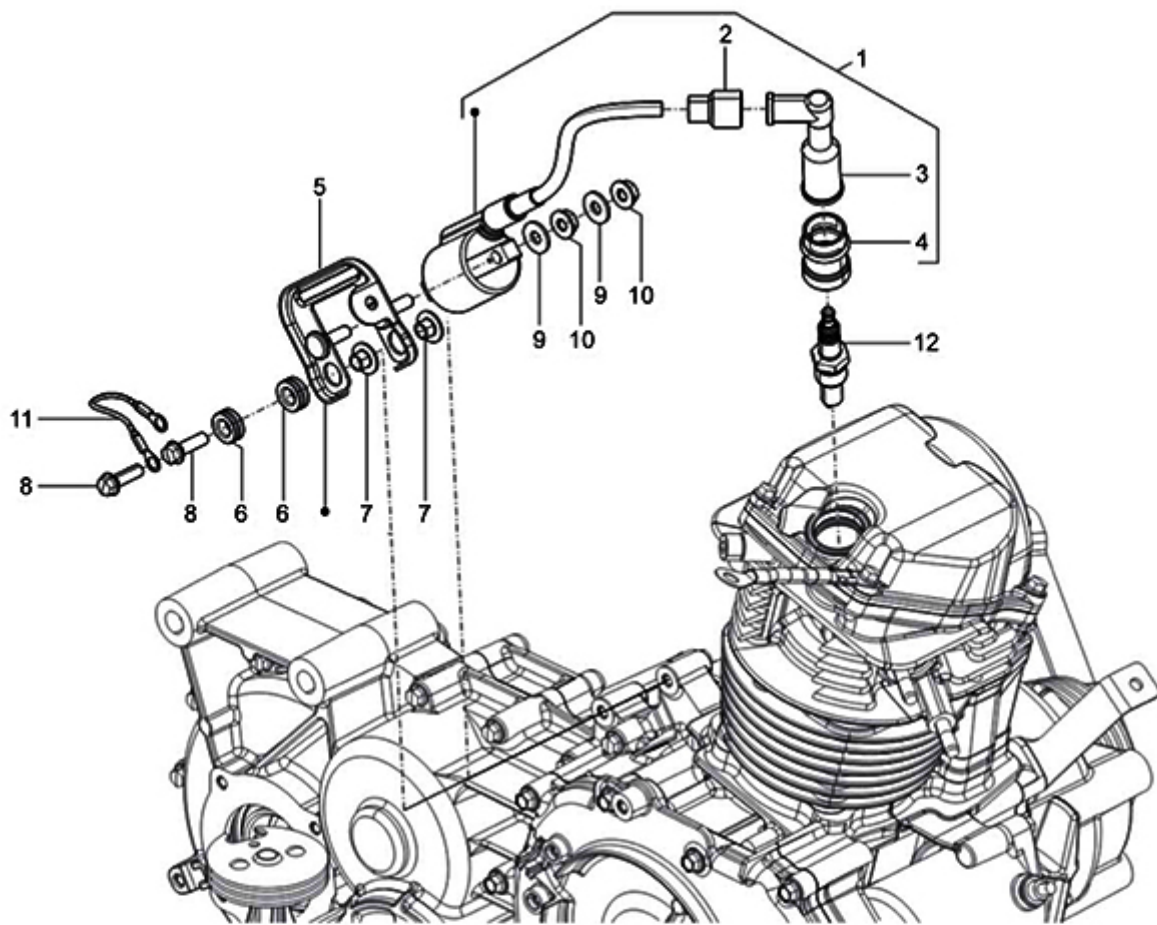


PLATE-18**COMPLETE H.T. COIL**

Fig. No.	Part No.	Description	Qty	Remarks
1	1A001794	COMPLETE H.T.COIL	1	PTL
2	642537	PROTECTION CAP	1	PTL
3	643149	SPARK PLUG CAP	1	PTL
4	1A001795	SPARK PLUG PROTECTION COLLAR	1	PTL
5	B016552	COIL SUPPORT BRACKET WITH I.P.	1	
6	B014063	BUFFER DAMPER	2	
7	B014066	SPACER	2	
8	018639	SCREW M6X20	2	
9	013880	PLAIN WASHER	2	
10	872816	FLANGED NUT	2	
11	1D001894	GROUND WIRE	1	
12	643367	SPARK PLUG	1	

PLATE-19
ENGINE MOUNTING

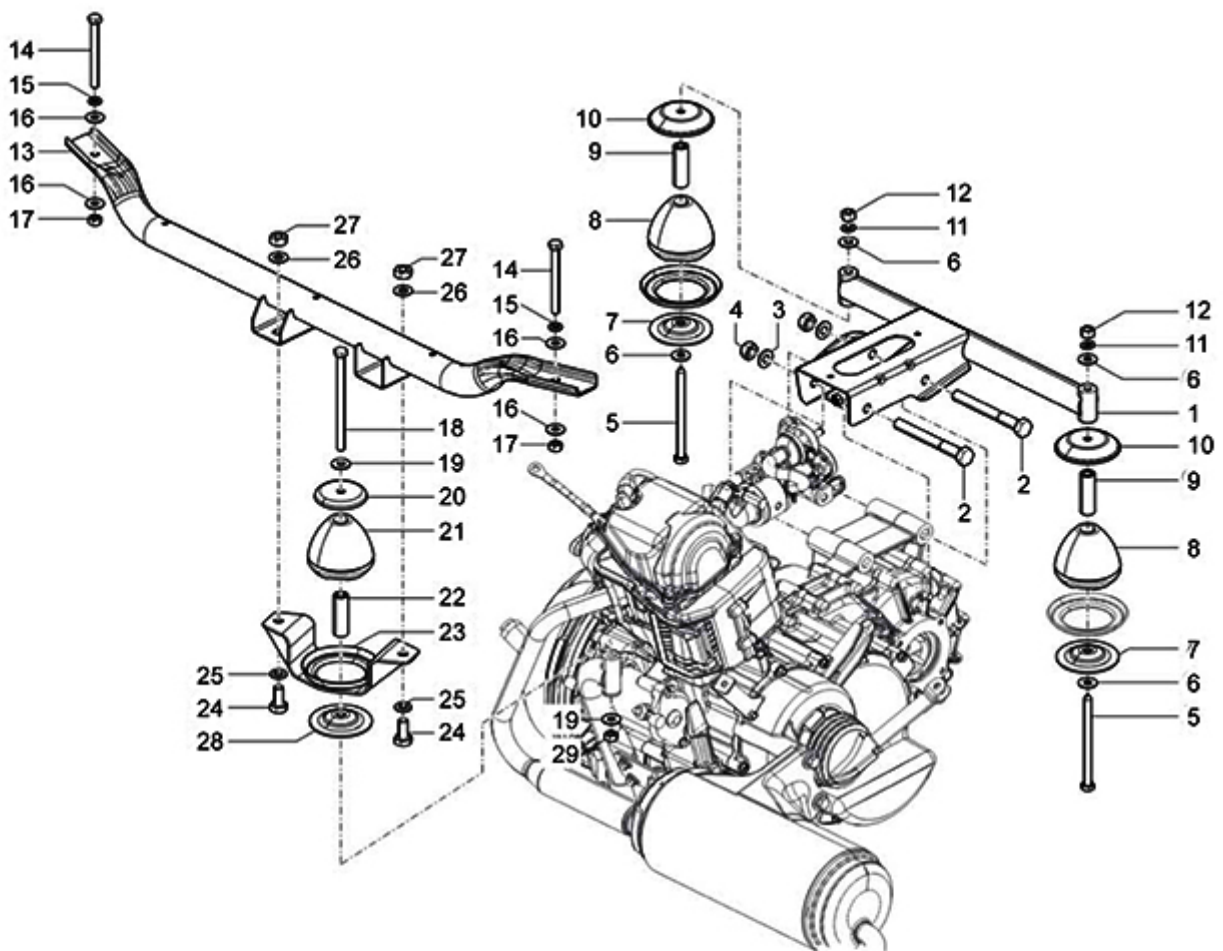


PLATE-19
ENGINE MOUNTING

Fig. No.	Part No.	Description	Qty	Remarks
1	B075459	FRT CROSS MEMBER ASSY. ENG. MTG.	1	
2	568689	HEX HEAD BOLT M10X100	2	
3	286328	PLAIN WASHER 20X10.2X2	2	
4	231370	SELF BREAKING NUT M10	2	
5	604948	HEX.HDD BOLT M8 X 110 WITH POINTING	2	
6	2383	PLAIN WASHER M20X8.5X2	4	
7	569244	PLATE	2	
8	265091	DUMPER ENGINE MTG.	2	
9	569241	SPACER	2	
10	569377	PLATE	2	
11	016408	SPRING WASHER	2	
12	15335	HEX HD NUT M8	2	
13	B075595	CROSS MEMBER ENGINE MTG REAR	1	
14	B076205	HEAD BOLT (M8 X 85)	2	
15	016408	SPRING WASHER	2	
16	2383	PLAIN WASHER M20X8.5X2	4	
17	20108	HEX NUT M8	2	
18	272178	HEX. HDD BOLT M8 X 122 CL 10.9	1	
19	2383	PLAIN WASHER M20X8.5X2	2	
20	569375	PLATE	1	
21	265091	DUMPER ENGINE MTG.	1	
22	569241	SPACER	1	
23	B003286	REAR AVM SUPPORT BKT. ASSY.	1	
24	31154	HEX HDD SCREW M10X22 CL 8.8	2	
25	16410	SPRING WASHER	2	
26	286328	PLAIN WASHER 20X10.2X2	2	
27	20110	HEX NUT M10	2	
28	569244	PLATE	1	
29	20108	HEX NUT M8	1	

PLATE-20

MAIN FRAME/BATTERY BKT/JACK BKT

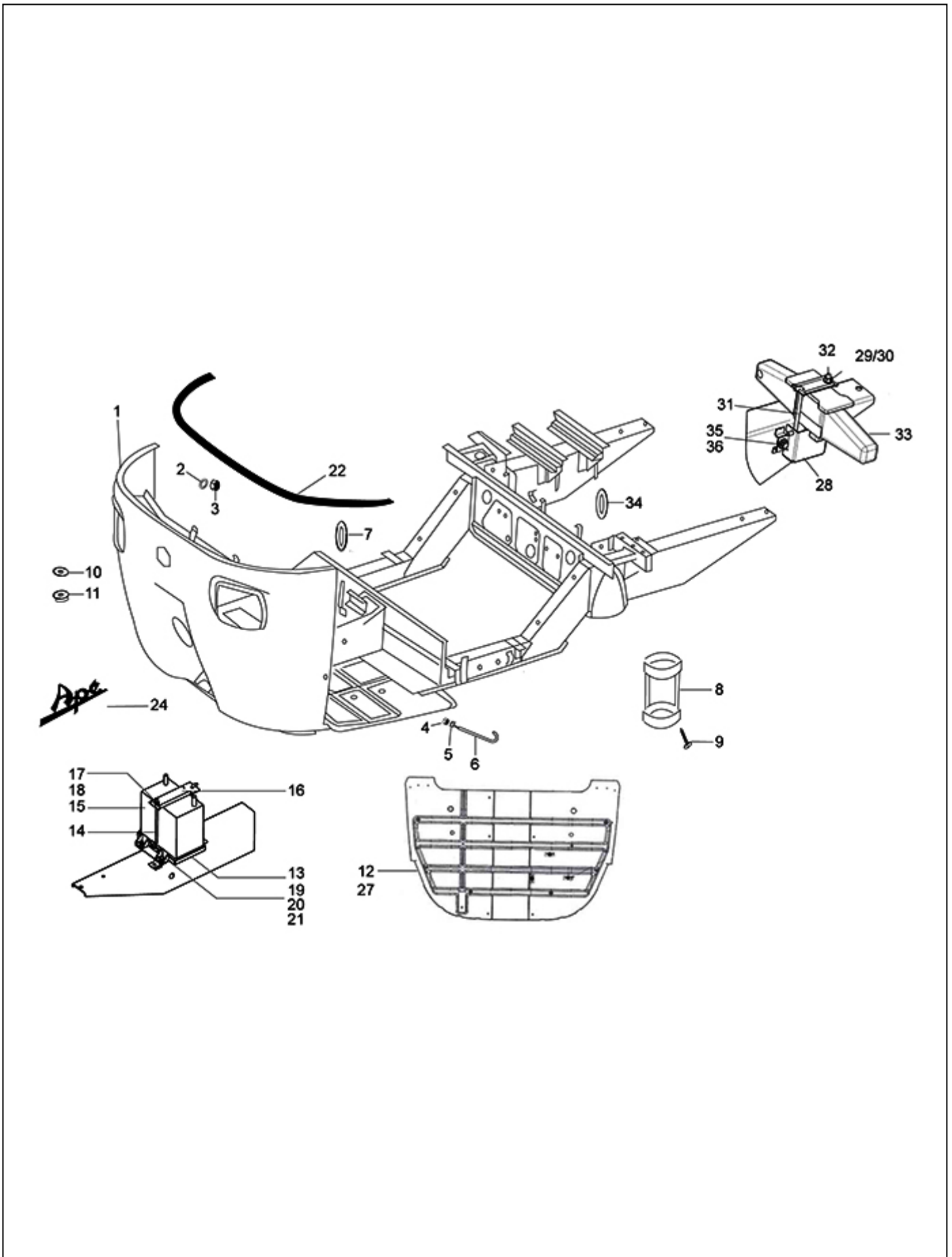


PLATE-20**MAIN FRAME/BATTERY BKT/JACK BKT**

Fig. No.	Part No.	Description	Qty	Remarks
1	6B001698BY	MAIN FRAME ASSLY WITH IP EXP-BY	1	coloured part
1	6B001698EG	MAIN FRAME ASSLY WITH IP EXP-EG	1	coloured part
1	6B001698WR	MAIN FRAME ASSLY WITH IP EXP-WR	1	coloured part
1	6B001698BL	MAIN FRAME ASSLY WITH IP EXP-BL	1	coloured part
1	6B001698BW	MAIN FRAME ASSLY WITH IP-BSIV EXP_BW	1	coloured part
1	6B001698CB	MAIN FRAME ASSLY WITH IP-BSIV EXP_CB	1	coloured part
1	6B001698GY	MAIN FRAME ASSLY WITH IP EXP-GY	1	coloured part
1	6B001698NB	MAIN FRAME ASSLY WITH IP EXP-NB	1	coloured part
1	6B001698PA	MAIN FRAME ASSLY WITH IP EXP-PA	1	coloured part
1	6B001698PB	MAIN FRAME ASSLY WITH IP EXP-PB	1	coloured part
1	6B001698CO	MAIN FRAME ASSLY WITH IP EXP-CO	1	coloured part
2	3054	PLAIN WASHER	5	
3	20104	HEX NUT M4	5	
4	20108	HEX NUT M8	1	
5	3058	PLAIN WASHER 15X8.4X1.5	1	
6	604954	TENSION ROD	1	
7	B076606	GROMMET	1	
8	B041392	BOTTLE CARRIER STAND	1	
9	660168	PAN SELF TP. SCREW 10 SGX13AB	2	
10	B075979	GROMMET	2	
11	604756	HOSE CLIP	2	
12	B074150	CABIN FLOOR SUB-ASSY. (PET/ DLS)	1	
13	616649	BATTERY TRAY	1	
14	632508	TENSION ROD ASSY. (BATTERY MOUNTING.)	1	
15	B006544	BATTERY 12V-35AH	1	
16	B003978	BATTERY HOLDING PLATE	1	
17	20108	HEX NUT M8	1	
18	3058	PLAIN WASHER 15X8.4X1.5	1	
19	016408	SPRING WASHER	1	
20	13861	PLAIN WASHER 20X8.2X2.5	4	
21	31118	SCREW M8X20	4	
22	B024474	BEADDING LINING	1	
23	NS	NOT SERVICEABLE	1	NI
24	B078919	APE CITY STICKER (FRONT PANEL)	1	
26	B074637	BEEDING DOME SIDE PILLAR (PET/DLS)	1	NI

PLATE-20

MAIN FRAME/BATTERY BKT/JACK BKT

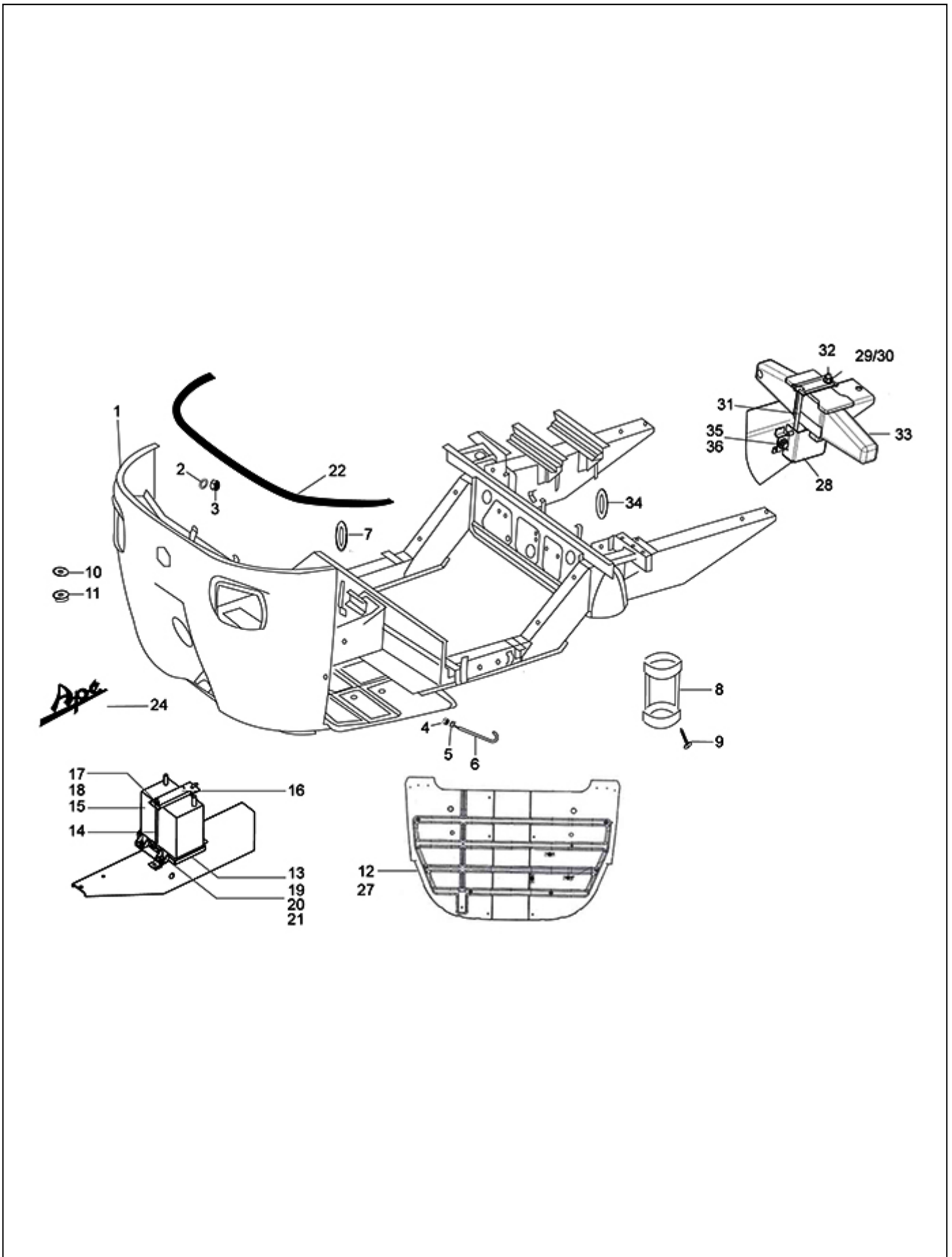


PLATE-20**MAIN FRAME/BATTERY BKT/JACK BKT**

Fig. No.	Part No.	Description	Qty	Remarks
28	B076012	JACK BOX	1	
29	13861	PLAIN WASHER 20X8.2X2.5	1	
30	20108	HEX NUT M8	1	
31	B075966	RR TENSION ROD	1	
32	B075967	FR TENSION ROD	1	
33	B076650R	JACK ASSLY	1	
34	B077480	GROMMET RR PART OF CENTRAL BEAM ASSLY	1	
35	652562	HEX. SCREW M8 X 1.25 X 14 WITH SPRING WA	2	
36	2383	PLAIN WASHER M20X8.5X2	2	

PLATE-21
PASS. BODY WITH DOORS & HOOD FRAME & SOFT TOP

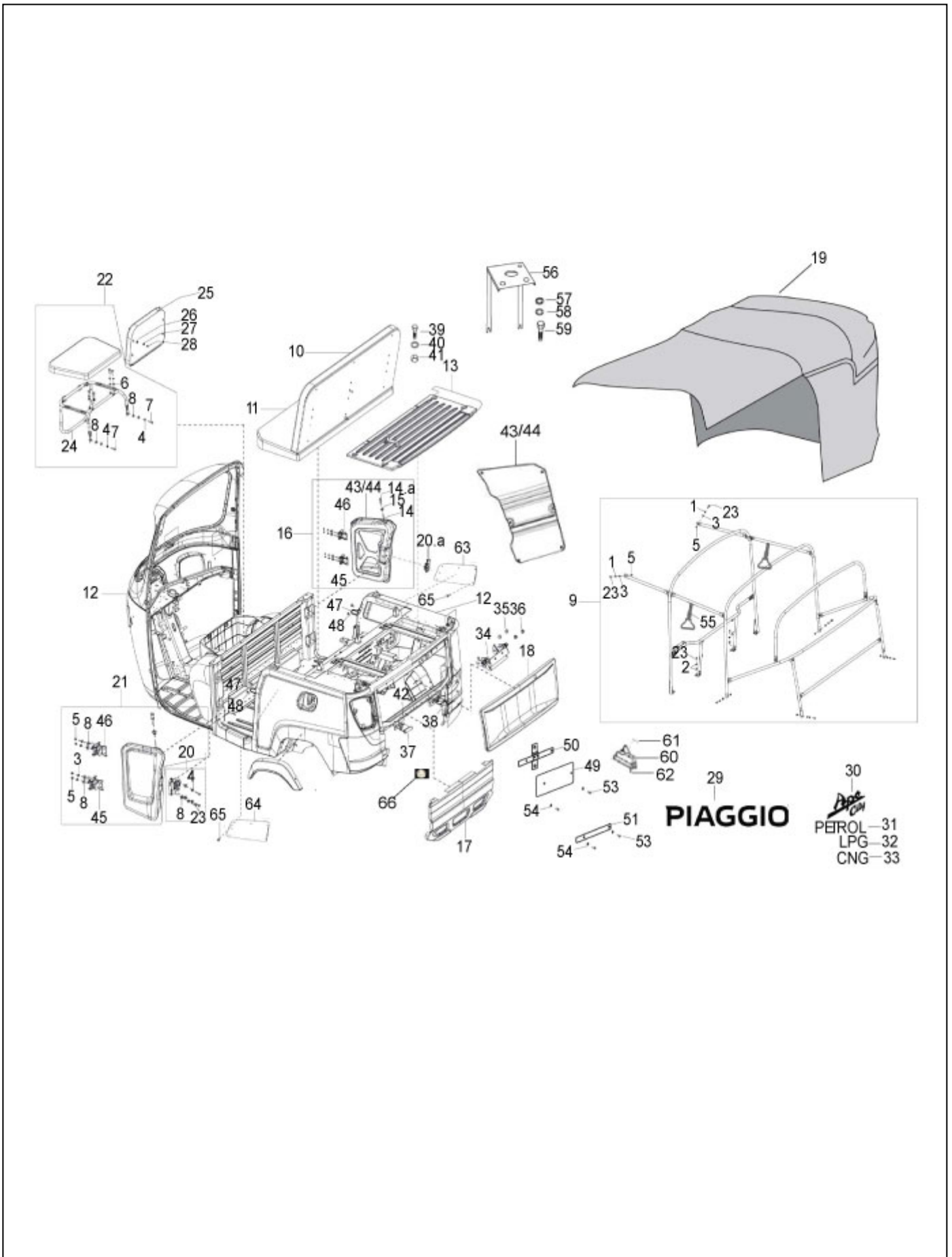


PLATE-21**PASS. BODY WITH DOORS & HOOD FRAME & SOFT TOP**

Fig. No.	Part No.	Description	Qty	Remarks
1	3056	PLAIN WASHER M6 OD12	2	
2	3058	PLAIN WASHER 15X8.4X1.5	1	
3	16405	SPRING WASHER M5	2	
4	016408	SPRING WASHER	2	
5	20106	HEX NUT M6	4	
6	20108	HEX NUT M8	2	
7	31122	HEX HD. SCREW M8X30 CL 8.8	2	
8	2383	PLAIN WASHER M20X8.5X2	4	
9	B075744	HOOD FRAME ASSLY PAX BS-IV	1	
9	KIT96048R	KIT HOOD FRAME ASSLY CITY DLX EXPORT AND UPPER STRIP	1	Applicable for P and C Export
10	6B003045	PASSENGER BACKREST	1	PTL
11	6B003047	PASSENGER SEAT BOTTOM ASSEMBLY	1	PTL
12	6B002549BY	ASSLY PASSENGER BODY-BY	1	coloured part
12	6B002549EG	ASSLY PASSENGER BODY-EG	1	coloured part
12	6B002549WR	ASSLY PASSENGER BODY-WR	1	coloured part
12	6B002549BL	ASSLY PASSENGER BODY-BL	1	coloured part
12	6B002549BW	ASSLY PASSENGER BODY-BW	1	coloured part
12	6B002549CB	ASSLY PASSENGER BODY-CB	1	coloured part
12	6B002549GY	ASSLY PASSENGER BODY-GY	1	coloured part
12	6B002549NB	ASSLY PASSENGER BODY-NB	1	coloured part
12	6B002549PA	ASSLY PASSENGER BODY-PA	1	coloured part
12	6B002549PB	ASSLY PASSENGER BODY-PB	1	coloured part
12	6B002549CO	ASSLY PASSENGER BODY-CO	1	coloured part
13	B075724ED	ENGINE COMP DOOR ASSLY	1	
14	6B001539	POP-UP KNOB RH	1	
14.a	6B001518	POP-UP KNOB LH	1	
15	6B001519	GROMMET(GUIDE FOR LATCH OPENING LINK)	2	
16	6B001332ED	DOOR ASSLY-RH	1	
17	B077970ED	ASSLY VISUAL BARRIER BSIV	1	
18	B075531ED	TAIL GATE ASSY.	1	
19	6B002450R	SOFT TOP ASSEMBLY - NON FR	1	P/N common For All Colours (assly no)-PTL
19	6B002955	SOFT TOP ASSEMBLY (BLACK-NON FR)	1	Soft top colour
19	6B002956	SOFT TOP ASSLY (YELLOW-BLACK INR-NFR)	1	Soft top colour
19	6B002957	SOFT TOP ASSLY (GREY-NON FR)	1	Soft top colour
19	6B002958	SOFT TOP ASSLY (GREEN-NON FR)	1	Soft top colour

PLATE-21
PASS. BODY WITH DOORS & HOOD FRAME & SOFT TOP

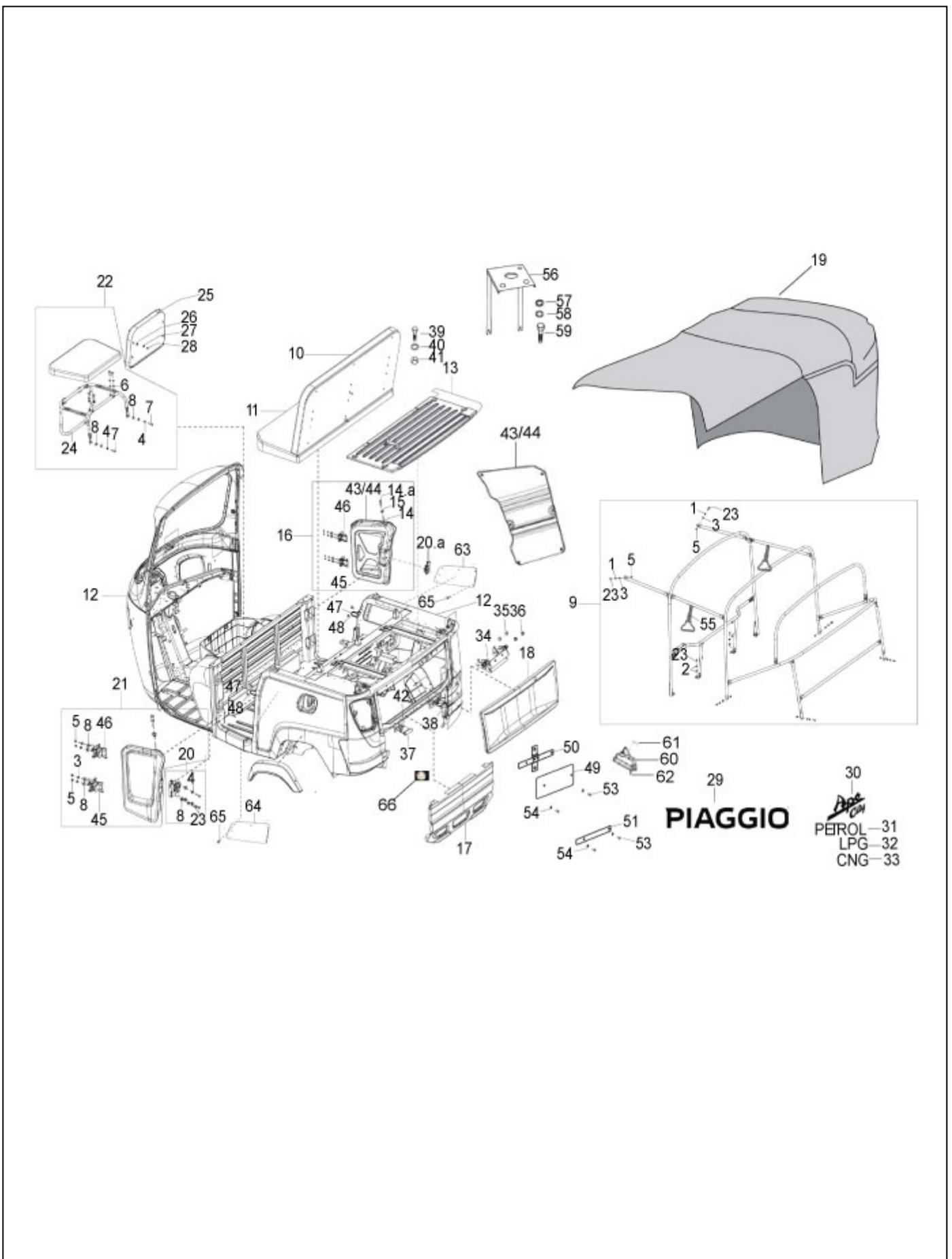


PLATE-21**PASS. BODY WITH DOORS & HOOD FRAME & SOFT TOP**

Fig. No.	Part No.	Description	Qty	Remarks
19	6B002959	SOFT TOP ASSLY (WHITE-NON FR)	1	Soft top colour
19	6B002960	SOFT TOP ASSLY (BROWN-NON FR)	1	Soft top colour
20	6B000637	LATCH ASSLY LH	1	
20.a	6B000638	LATCH ASSLY RH	1	
21	6B001331ED	DOOR ASSLY-LH	1	
22	6B003040	DRIVER SEAT ASSLY.	1	PTL
23	31088	HEX HD SCREW M6 X 16 CL 8.8 (811061623)	22	
24	6B000808	DRIVER SEAT PIPE S/A	1	Under Development
25	6B003050	DRIVER BACK REST ASSY	1	
26	16405	SPRING WASHER M5	4	
27	16603	PLAIN WASHER (METALLIC)	4	
28	20105	PLAIN NUT M5	4	
29	B078925	PIAGGIO STICKER (VISUAL BARRIER	1	
30	B078924	APE CITY STICKER (TAILGATE)	1	
31	B003652	PLATE PETROL	1	
34	B076069	LATCH-TAIL GATE	1	
35	3056	PLAIN WASHER M6 OD12	2	
36	2388	WELD NUT M8	2	Not Servicable
37	B076056ED	HINGE ASSLY LH, CROSS MEMBER	1	
38	B076057CED	HINGE ASSLY RH, CROSS MEMBER	1	
39	31116	HEX HD. SCREW M8X16	2	
40	3058	PLAIN WASHER 15X8.4X1.5	2	
41	20108	HEX NUT M8	2	
42	B075505ED	C/S MEMBER S/A, BODY UPPER, REAR	1	
43	6B001388	PLASTIC PART INNER LH	1	
44	6B001389	PLASTIC PART INNER RH	1	
45	6B001455	HINGE ASSLY-PASS DOOR LOWER	2	
46	6B001520	DOOR HINGE ASSLY UPPER	2	
47	6B001517	STRIKER ASSLY	2	
48	6B001654	COUNTERSUNK SCREW M8 X 12	4	
49	6B001129	REGISTRATION NUMBER PLATE(HSRP)	2	
50	6B001137	BRACKET ASSLY-REAR HSRP MTG	2	
51	6B001140	BRACKET ASSLY FRONT HSRP MTG	1	
52	6D000374	PIGTAIL ,LICENCE PLATE LAMP	1	NI
53	30074	HEX HEAD BOLT M8 X 40 CL 8.8	2	

PLATE-21
PASS. BODY WITH DOORS & HOOD FRAME & SOFT TOP

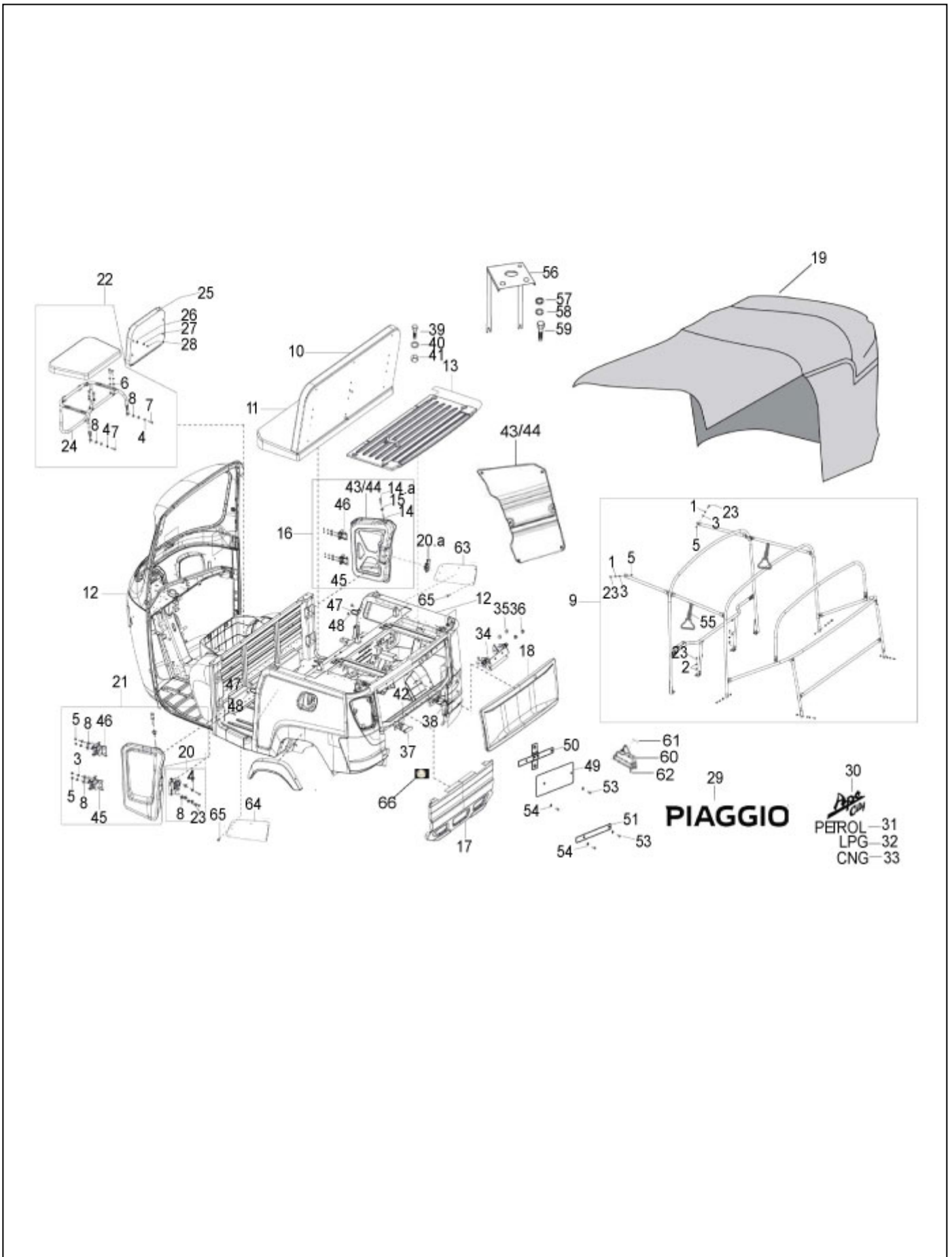


PLATE-21**PASS. BODY WITH DOORS & HOOD FRAME & SOFT TOP**

Fig. No.	Part No.	Description	Qty	Remarks
54	3058	PLAIN WASHER 15X8.4X1.5	2	
55	940090	HANGING GRIP HANDLE(COMMON)	2	
56	B002334	FARE METER MTG. BKT.	1	
57	016408	SPRING WASHER	4	
58	3058	PLAIN WASHER 15X8.4X1.5	4	
59	31118	SCREW M8X20	4	
60	639088	TAIL LAMP	1	
61	3054	PLAIN WASHER	3	
62	157716	SCREW ANCHORE	3	
63	B041118	TRIM PAD SIDE PANEL	1	
64	B041217	TRIM PAD SIDE PANEL LH	1	
65	660168	PAN SELF TP. SCREW 10 SGX13AB	12	
66	6632187Z01	CUSHION, RUBBER	2	
67	B076308	RUBBER SPACER (LIGHT RAGISTRATION LAMP)	2	NI(SPACER BETWEEN HSRP PLATE AND BODY)
68	6B001170	SOFT TOP REINFORCEMENT PLASTIC	2	GREEN COLOUR
69	6B002781	GROMMET FOR TAIL GATE LOCK	1	NI

PLATE-22

WINDSHIELD, GLASS ,PACKING & MIRROR

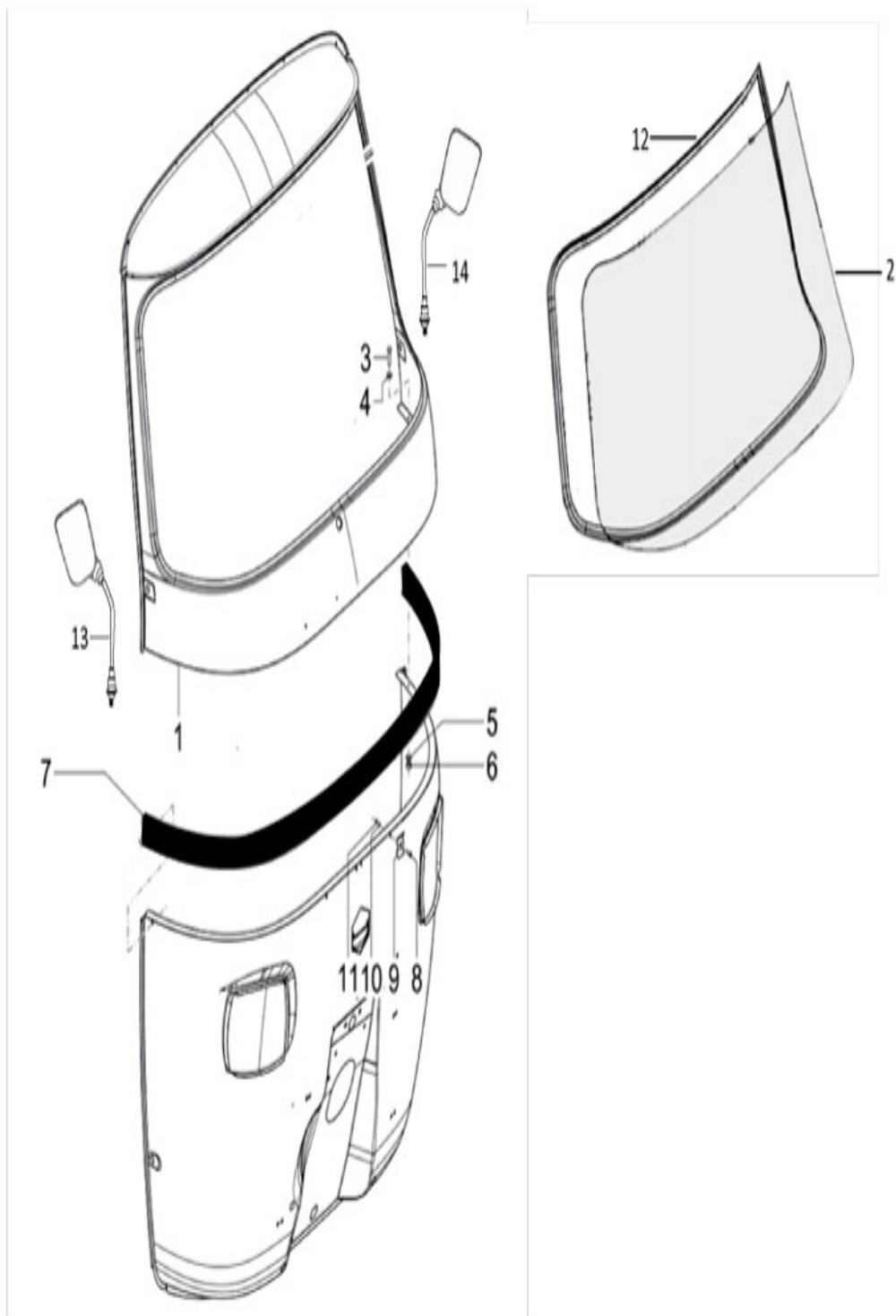


PLATE-22**WINDSHIELD, GLASS ,PACKING & MIRROR**

Fig. No.	Part No.	Description	Qty	Remarks
1	B073602ED	WINDSCREEN FRAME (COMPLETE)	1	ED Coating
1	B073602BL	ASSLY WINDSHIELD COMPLTE PAX UPGR-BL SPD	1	coloued part
1	B073602BW	ASSLY WINDSHIELD COMPLTE PAX UPGR-BW SPD	1	coloued part
1	B073602CB	ASSLY WINDSHIELD COMPLTE PAX UPGR-CB SPD	1	coloued part
1	B073602EG	ASSLY WINDSHIELD COMPLTE PAX UPGR-EG SPD	1	coloued part
1	B073602GY	WINDSHIELD FRAME (GOLDEN YELLOW)	1	coloued part
1	B073602NB	ASSLY WINDSHIELD COMPLTE PAX UPGR-NB SPD	1	coloued part
1	B073602WR	ASSLY WINDSHIELD COMPLTE PAX UPGR-WR SPD	1	coloued part
2	B073601	LAMINATED WINSHIELD GLASS	1	
3	30242	SLOT CH. HD. SCREW	10	
4	16405	SPRING WASHER M5	10	
5	12546	PLAIN WASHER / MULTI TOOTH LOCK WASHER M5	10	
6	20105	PLAIN NUT M5	10	
7	B024474	BEADDING LINING	1	
8	15911	PAN SELF TAP SCREW 8SG X 16 AB	5	
9	190462	PLATE ASSY.	5	
10	3054	PLAIN WASHER	5	
11	20104	HEX NUT M4	5	
12	B073626	WINDSHIELD PACKING	1	
13	B073666	REAR VIEW MIRROR RH	1	
14	B073665	REAR VIEW MIRROR LH	1	

PLATE-23
MUDGUARD

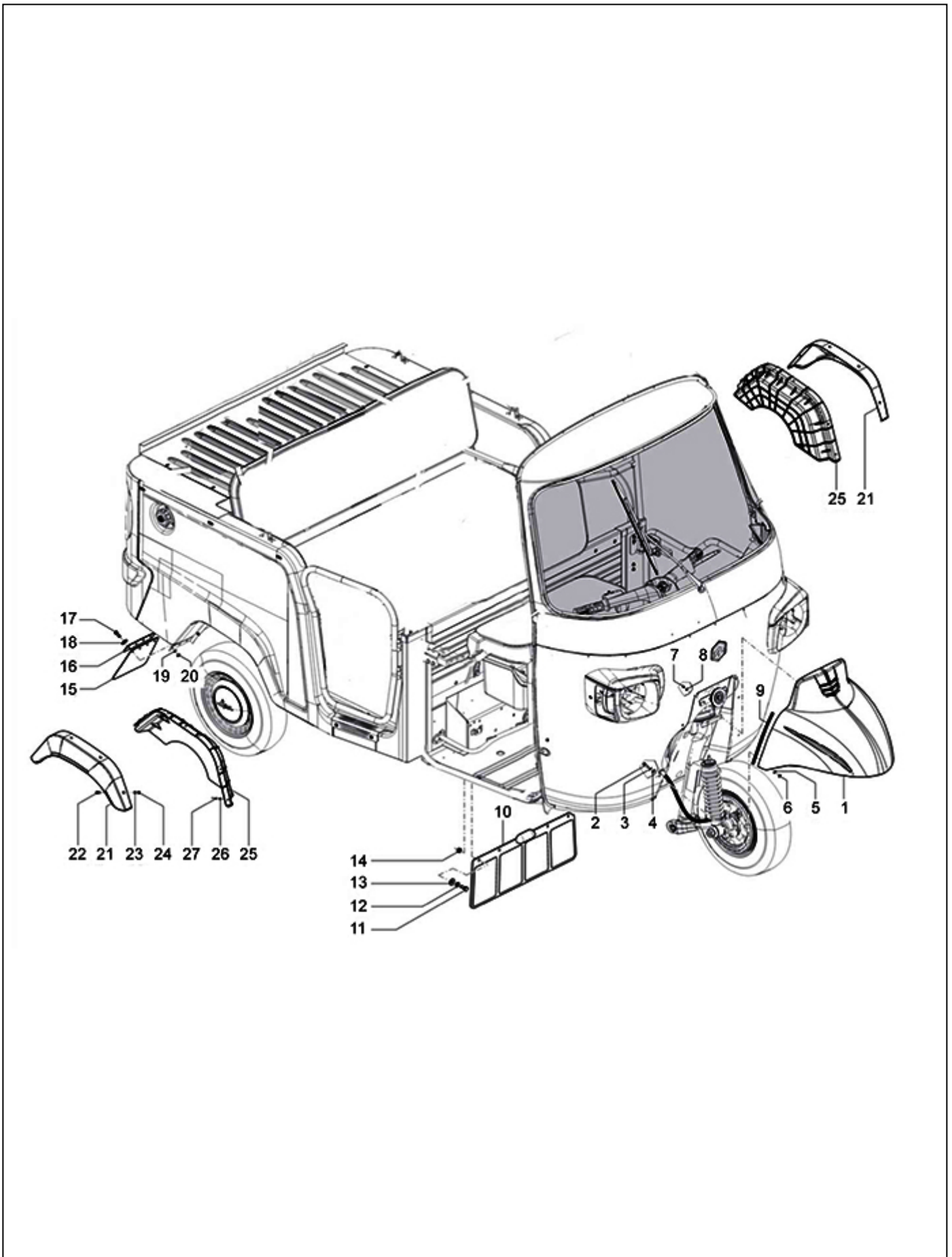


PLATE-23
MUDGUARD

Fig. No.	Part No.	Description	Qty	Remarks
1	B073882BW	FRONT MUDGUARD - PAINTED-BW	1	
1	B073882BY	FRONT MUDGUARD_UPGRD_PAINTED_BY	1	
1	B073882CB	FRONT MUDGUARD - PAINTED -CB	1	
1	B073882EG	FRONT MUDGUARD - PAINTED - EG	1	
1	B073882GY	FRONT MUDGUARD - PAINTED - GY	1	
1	B073882NB	FRONT MUDGUARD - PAINTED - NB	1	
2	31089	HEX HEAD SCREW M6X18 CL 8.8	4	
3	016406	SPRING WASHER	4	
4	3056	PLAIN WASHER M6 OD12	4	
5	013880	PLAIN WASHER	4	
6	20106	HEX NUT M6	4	
7	15900	HEAD LAMP SECURING SCREW/PAN SELF TAP SCREW	2	
8	3055	PLAIN WASHER M5	2	
9	B074063	GASKET FOR FRONT MUDGUARD	1	
10	B041054	MUD FLAP FRONT	1	
11	31088	HEX HD SCREW M6 X 16 CL 8.8 (811061623)	4	
12	016406	SPRING WASHER	4	
13	013880	PLAIN WASHER	4	
14	20106	HEX NUT M6	4	
15	B001789	MUDFLAP MUDGAURD REAR	1	
16	B001788	CLAMP MUDFLAP REAR	1	
17	31057	HEX HEAD SCREW M5 X 14 CL 8.8	8	
18	013880	PLAIN WASHER	8	
19	16405	SPRING WASHER M5	8	
20	20105	PLAIN NUT M5	8	
21	B073853	RR MUDGUARD RH	1	
21	B073852	MUDGUARD REAR LH	1	
22	15900	HEAD LAMP SECURING SCREW/PAN SELF TAP SCREW	8	
23	16603	PLAIN WASHER (METALLIC)	8	
24	20105	PLAIN NUT M5	8	
25	B041397	COVER INNER MUDGAURD RH	1	
25	B041398	COVER INNER MUDGAURD LH	1	
26	16603	PLAIN WASHER (METALLIC)	10	
27	604603	RIVET	10	

PLATE-24

FUEL TANK/FILTER/FUEL PIPES - PETROL

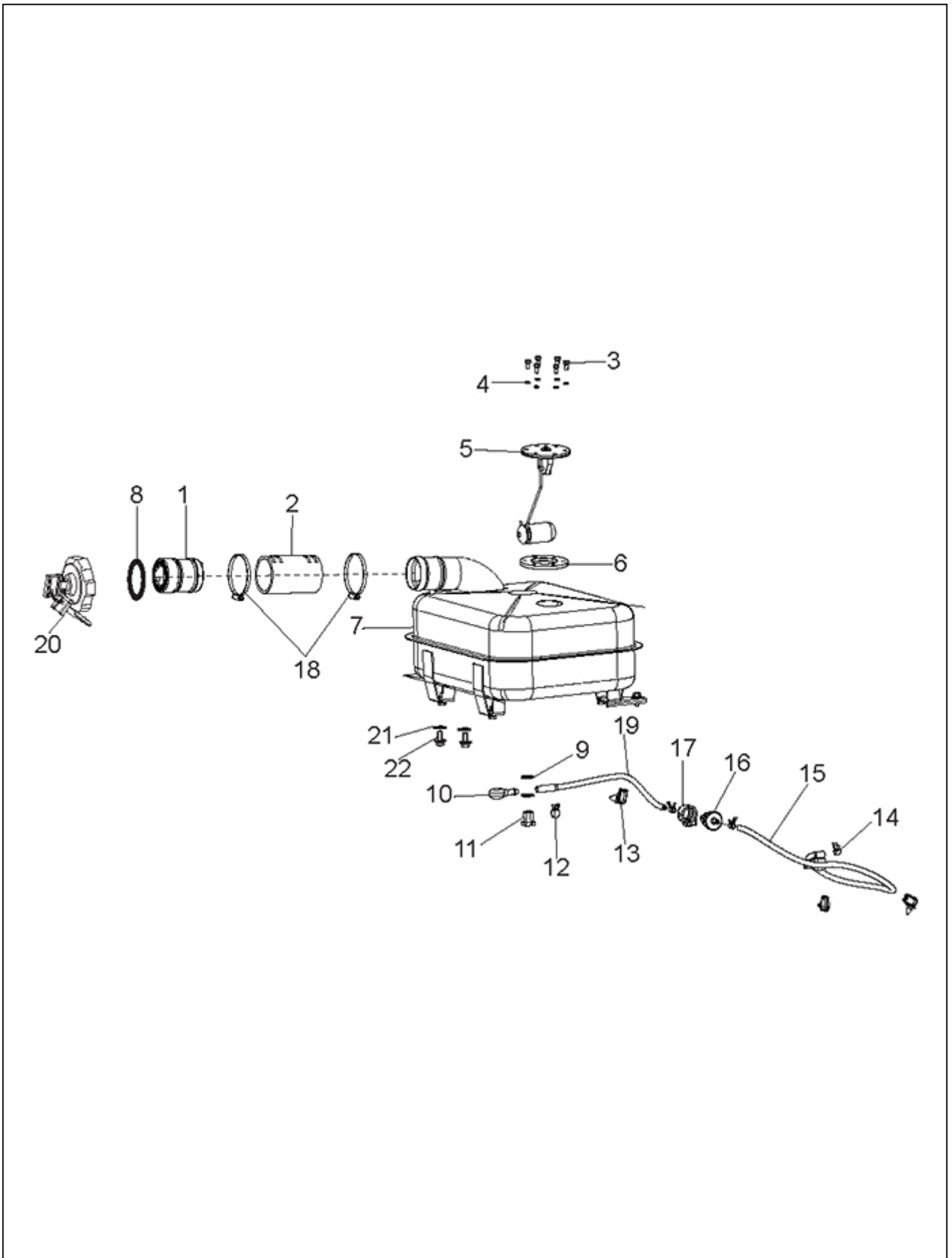


PLATE-24**FUEL TANK/FILTER/FUEL PIPES - PETROL**

Fig. No.	Part No.	Description	Qty	Remarks
1	B003115	TUBE FUEL TANK FILLER ASSY	1	
2	B003114	HOSE FUEL TANK	1	
3	31056	HEX HEAD SCREW M5 X 12 CL. 8.8	5	
4	16405	SPRING WASHER M5	5	
5	567878R	TANK UNIT	1	
6	925888	RUBBER GASKET FOR TANK UNIT	1	
7	B076903	FUEL TANK ASSLY WITH T.UNIT CITY DSL/PTL	1	
8	644299	COLLAR	1	
9	13880	METALIC PLAIN WASHER	2	
10	604908	BANJO	1	
11	604909	BANJO BOLT (M14X1.5)	1	
12	B003282	HOSE CLIP (DIA.7) (PETROL & CNG/LPG)	2	
13	216369	CLAMP	3	
14	B003282	HOSE CLIP (DIA.7) (PETROL & CNG/LPG)	3	
15	B076406	FUEL PIPE - FUEL FILTER TO CARBURATOR-PTL	1	
16	B074593	COMPACT FUEL STRAINER (3 L/H)	1	
17	B075790	FUEL FILTER SUPPORT	1	
18	B041853	HOSE CLIP (SIZE : 65A)	2	
19	B075336	FUEL PIPE -TANK TO FILTER-PTL	1	
20	B024168	P.T.CAP ASSLY WITH KEY	1	
21	16405	SPRING WASHER M5	6	
22	31056	HEX HEAD SCREW M5 X 12 CL. 8.8	6	

PLATE-25

CAB COMPONENTS_CARPETS & TOOL KIT

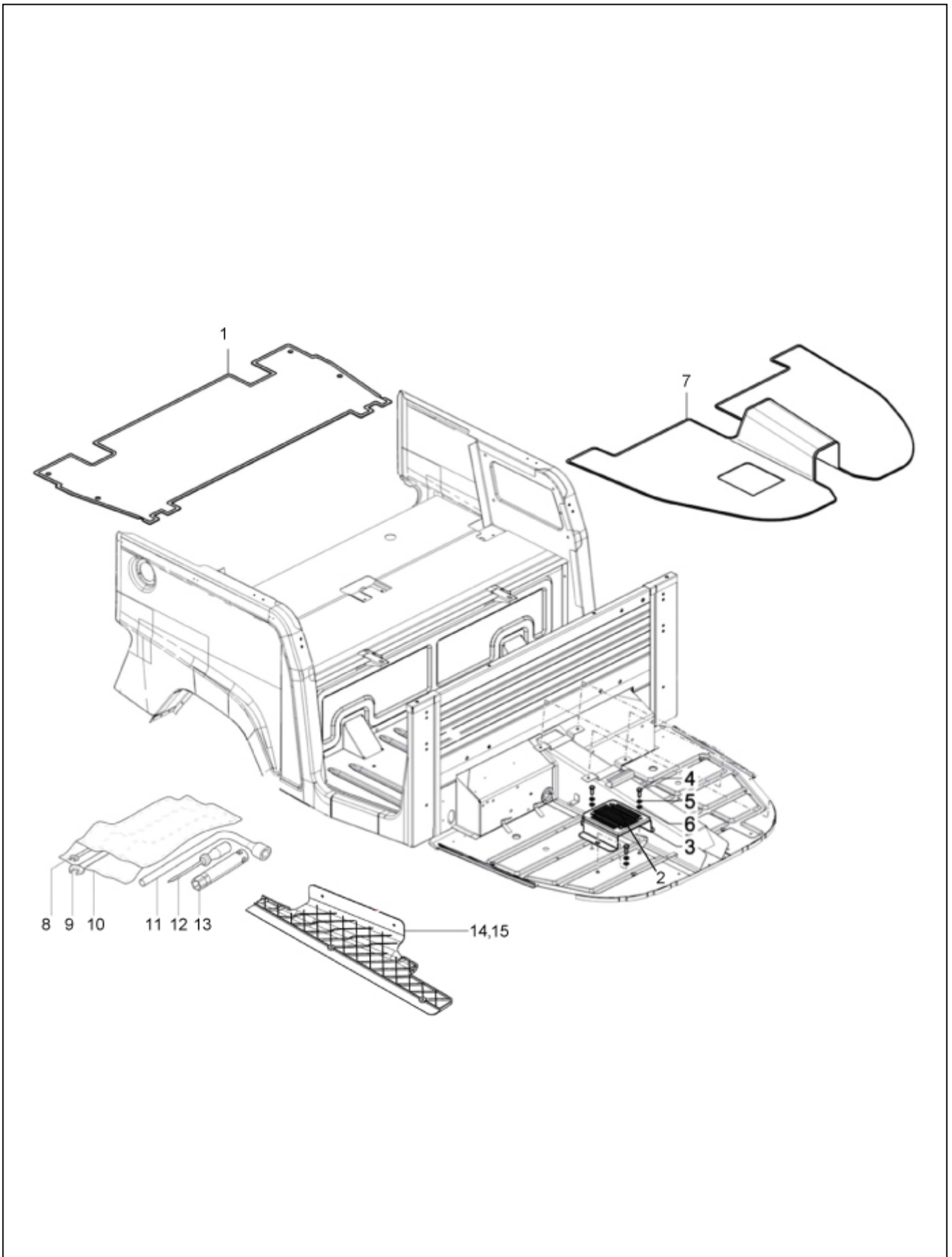


PLATE-25**CAB COMPONENTS_CARPETS & TOOL KIT**

Fig. No.	Part No.	Description	Qty	Remarks
1	6B001994	CARPET PASSENGER FOOT REST	1	
2	B074024	RUBBER MAT FOR FOOT REST	4	
3	B075267	FOOTREST ASSLY. COMPLETE	1	
4	31119	HEX HD SCREW M8 X 25	3	
5	016408	SPRING WASHER	3	
6	3058	PLAIN WASHER 15X8.4X1.5	3	
7	B074060	FRONT CARPET (PETROL)	1	PTL
8	567454	DOUBLE END SPANNER7/8	1	
9	567456	DOUBLE END SPANNER 12/14	1	
10	B041876	TOOL BAG	1	
11	B076142	L TYPE SPANNER - A/F 16	1	
12	567458	SCREW DRIVER (-)&(+) 80	1	
13	B041787	SPARK PLUG SPANNER	1	
14	B075984	FOOT STEP COVER RH	1	
15	B075985	FOOT STEP COVER LH	1	

PLATE-26

DASHBOARD ASSLY COMPLETE & LOCK SET

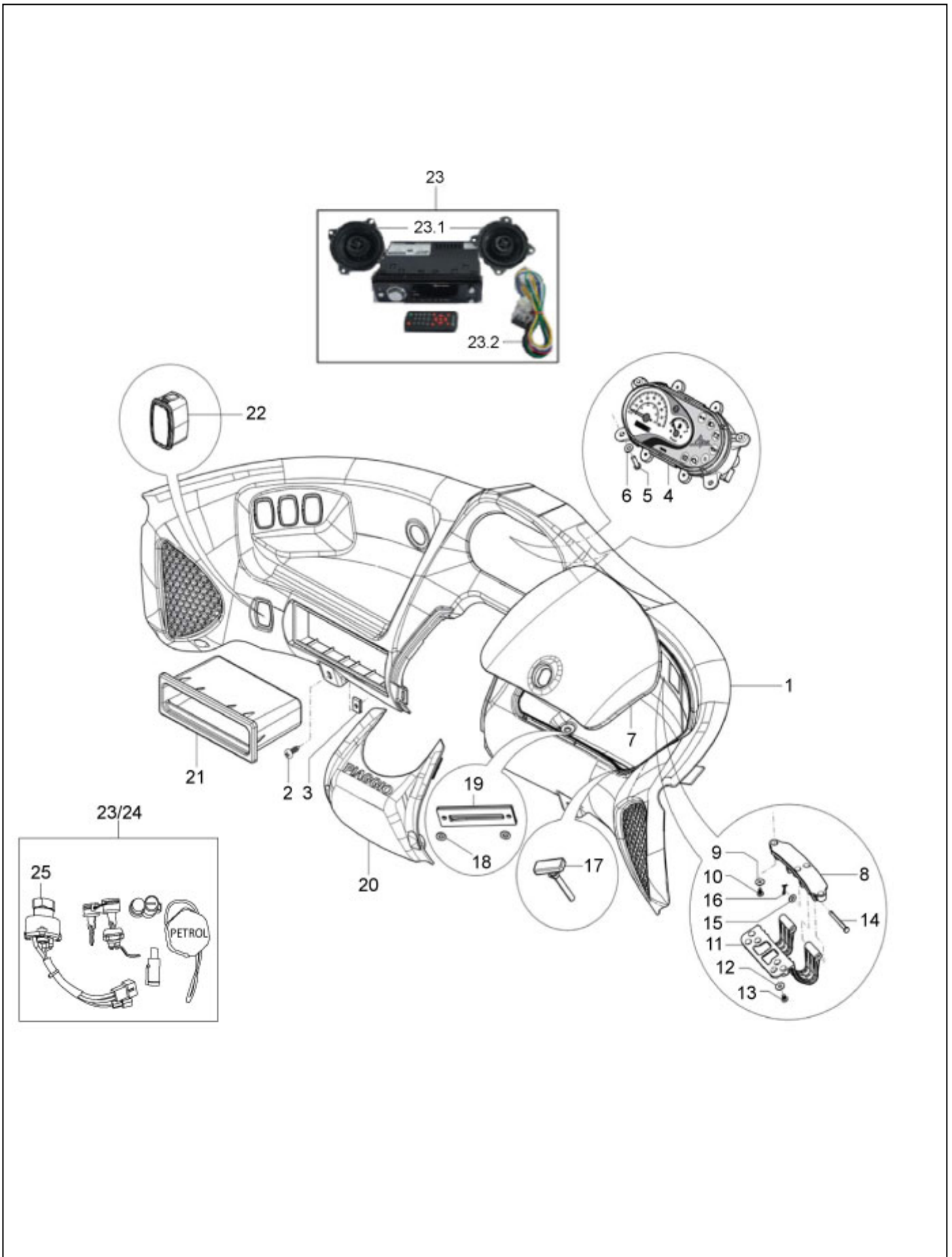


PLATE-26**DASHBOARD ASSLY COMPLETE & LOCK SET**

Fig. No.	Part No.	Description	Qty	Remarks
1	6B003032	DASHBOARD ASSLY.COMPLETE	1	PTL
1	6B003024	DASH BOARD ASSY.	1	
2	660168	PAN SELF TP. SCREW 10 SGX13AB	7	
3	8080	SPRING PLATE	7	
4	B078033	INST.CLUST- CITY - (PETROL) SW/NEUTRAL	1	PTL
5	661925	PHILIP PAN HEAD SCREW (M5 X 0.8 X 1.6)	4	
6	6078	PLAIN WASHER 12 X 5.2 X 1	4	
7	B073810	GLOVE BOX COVER	1	
8	B073813	HINGE MTG. BKT.	1	
9	16670	PLAIN WASHER 12X4.5X1	4	
10	NS	NOT SERVICEABLE	4	
11	B073814	HINGE	1	
12	16670	PLAIN WASHER 12X4.5X1	6	
13	B074261	PHIL RD HD SCREW M4	6	Under Development
14	B074262	PIN	2	
15	3055	PLAIN WASHER M5	2	
16	567920	SPLIT PIN	2	
17	B074275	RUBBER DAMPER	2	
18	3054	PLAIN WASHER	2	
19	643691	BOLT LOCK PLATE	1	
20	6B003028	STEERING COLUMN COVER	1	
21	B073812	UTILITY BOX	1	
22	B075732	FUEL CHANGE OVER SWITCH	1	Not Applicable
23	KIT6D000952	KIT ELECTRONIC AUDIO SYSTEM AND PIGTAIL	1	
23.1	6D000952	ELECTRONIC AUDIO SYSTEM	1	
23.2	6D000948	PIGTAIL, MUSIC SYSTEM	1	
24	B076407	LOCK SET WITH KEYS (CITY BSIV PTL DLX)	1	
25	B024532	KEY IGNITION SWITCH W/COUPLER (PAVNA)	1	
26	B042170	CAP - SIDE PANEL	1	Mono Fuel (LPG)

PLATE-27
HEAD LAMP & BEZEL ASSY, LOGO & SUPPORT

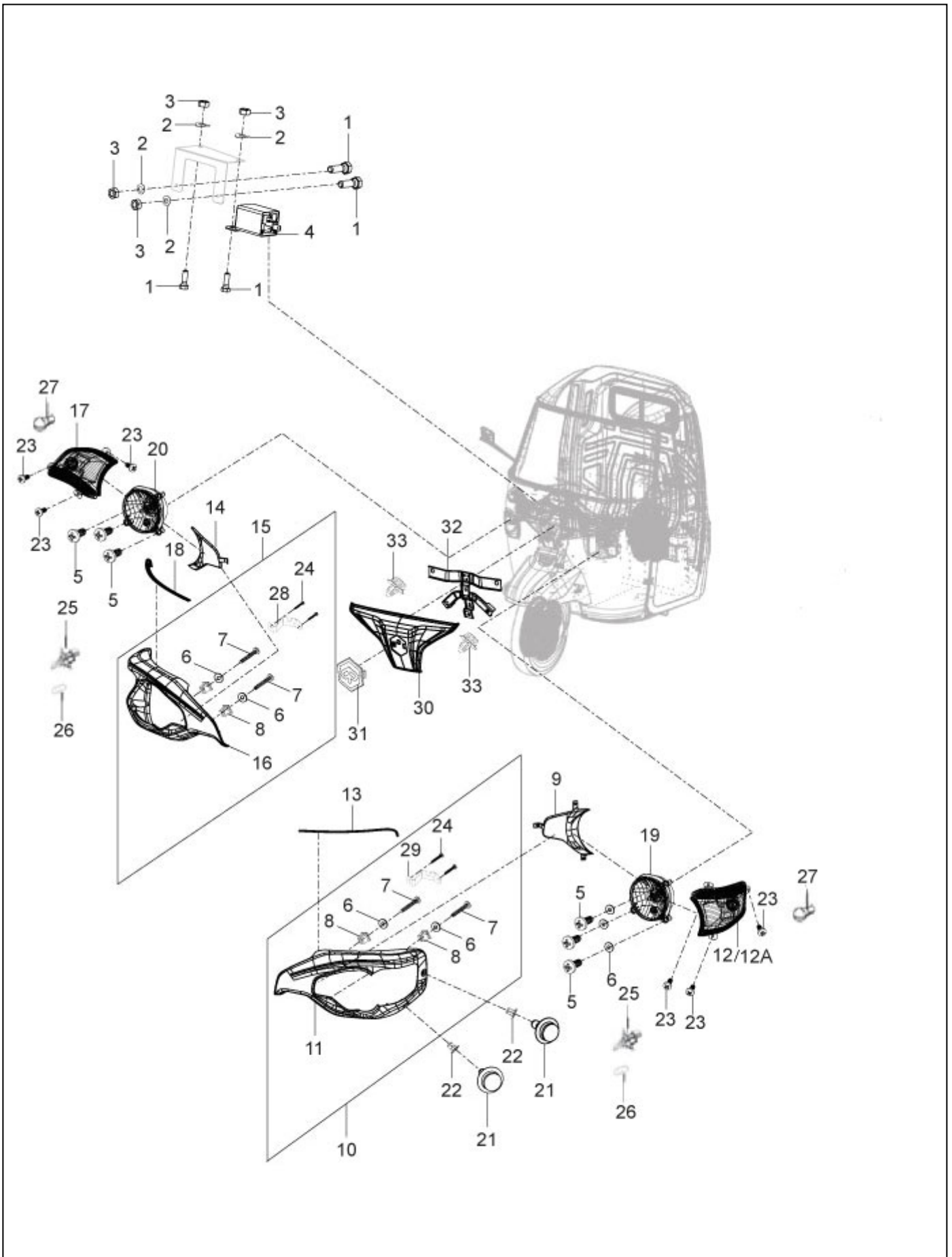


PLATE-27**HEAD LAMP & BEZEL ASSY, LOGO & SUPPORT**

Fig. No.	Part No.	Description	Qty	Remarks
1	31058	HEX HEAD SCREW M5 X 16 CC8.8	4	
2	6965	SPRING WASHER DIA 5	4	
3	20105	PLAIN NUT M5	4	
4	6D000305	FLASHER RELAY (BG LI-IN)	1	
5	15900	HEAD LAMP SECURING SCREW/PAN SELF TAP SCREW	6	
6	16670	PLAIN WASHER 12X4.5X1	10	
7	18630	PAN SELF TAP SCREW 6SG X 25AB	4	
8	157716	SCREW ANCHORE	4	
9	6B003007	SIDE PROFILE LH	1	Painted
10	6B003144	HEADLAMP BEZEL ASSEMBLY LH	1	
11	6B003146	HEADLAMP BEZEL LH	1	
12	6D000145R	FRONT DIRECTION INDICATORS LH	1	
12A	B078274	BLINKER HOUSING (LH)-(HOUSING + GLASS)	1	
13	6B002757	HEADLAMP BEZEL BEADING	2	
14	6B003008	SIDE PROFILR RH	1	Painted
15	6B003148	HEAD LAMP BEZEL ASSLY. RH	1	
16	6B003150	HEAD LAMP BEZEL RH	1	
17	6D000146R	FRONT DIRECTION INDICATORS RH	1	
17A	B078272	BLINKER HOUSING (RH)-(HOUSING + GLASS)	1	
18	6B002757	HEADLAMP BEZEL BEADING	1	
19	6D000143R	HEAD LAMP ASSLY LH - NUOVO	1	
20	6D000144R	HEAD LAMP ASSLY - RH (NUOVO)	1	
21	B076605	PIN	4	
22	B076606	GROMMET	4	
23	661925	PHILIP PAN HEAD SCREW (M5 X 0.8 X 1.6)	6	
24	D9004159230	SCREW, W / WASHER	6	
25	B078286R	HS1_BULB (12 V _35/35W	2	
26	567593	BULB 12V 5W / LAMP 4W	2	
27	925581	INDICATOR LIGHT BULB 12V 21W AMBER COLOUR	2	
28	6B002792	HEAD LAMP BEZEL MTG BRACKET	1	
29	6B002796	HEAD LAMP BEZEL MTG BRACKET	1	
30	6B003006	LOGO SUPPORT- SILVER	1	Painted
31	B076120	HEXAGONAL EMBLEM	1	
32	6B002586	LOGO SUPPORT BRACKET	1	
33	6B002827	LOGO SUPPORT MTG. CLIP	2	

PLATE-28
HANDLEBARS

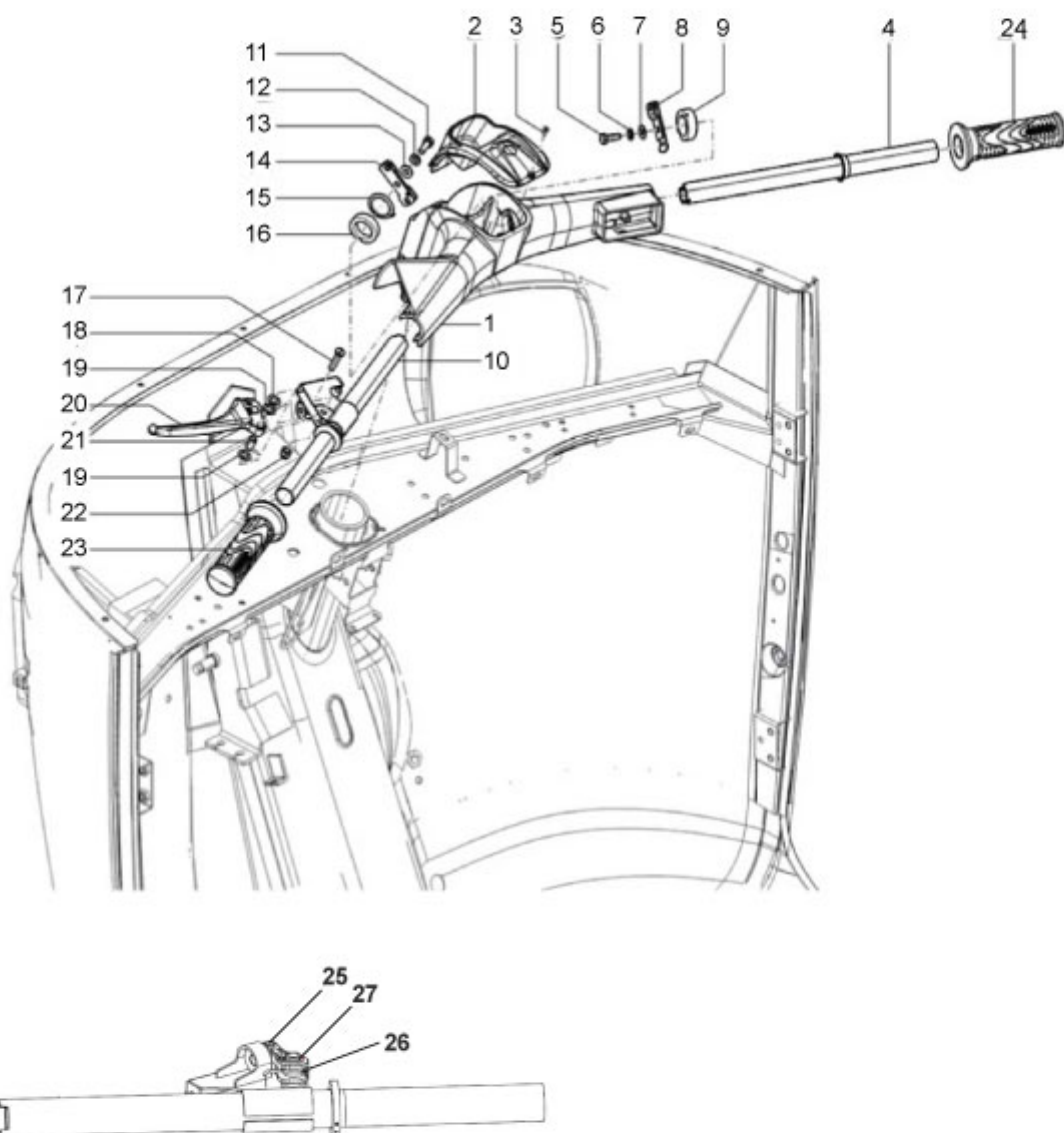


PLATE-28
HANDLEBARS

Fig. No.	Part No.	Description	Qty	Remarks
1	B075687ED	HANDLE BAR BODY-ED	1	
2	6B003027	COVER	1	
3	632158	CSK HEAD SCREW	1	
4	587902	ACCELERATOR TUBE ASSY.	1	
5	31089	HEX HEAD SCREW M6X18 CL 8.8	1	
6	016406	SPRING WASHER	1	
7	16626	PLAIN WASHER (18X10.5X2)	1	
8	109635	THROTTLE CONTROL LEVER WITH IP	1	
9	587904	SINTERED WASHER HANDLE BAR (41769)	1	
10	109775	GEAR CONTROL LEVER S/A	1	
11	31089	HEX HEAD SCREW M6X18 CL 8.8	1	
12	016406	SPRING WASHER	1	
13	16626	PLAIN WASHER (18X10.5X2)	1	
14	109775	GEAR CONTROL LEVER S/A	1	
15	60565	SPRING WASHER	1	
16	109404	WASHER OF RABBET(41737)	1	
17	632158	CSK HEAD SCREW	1	
18	16319	BENT SPRING WASHER	1	
19	16620	PLAIN WASHER	2	
20	1E002770	LEVER CLUTCH CONTROL	1	
21	125181	SPACER	1	
22	12138	NYLOCK NUT M6	1	
23	B073848	HANDLE BAR GRIP - LH	1	
24	B073849	HANDLE BAR GRIP - RH	1	
25	1E002771	LEVER, CLUTCH SWITCH	1	
26	1E002772	SPRING TORSION	1	
27	6A000209	CIRCLIP FOR SHAFT ID 9.3	1	Under Development

PLATE-29

FORK/STEERING TUBE - STEERING BEARING UNIT

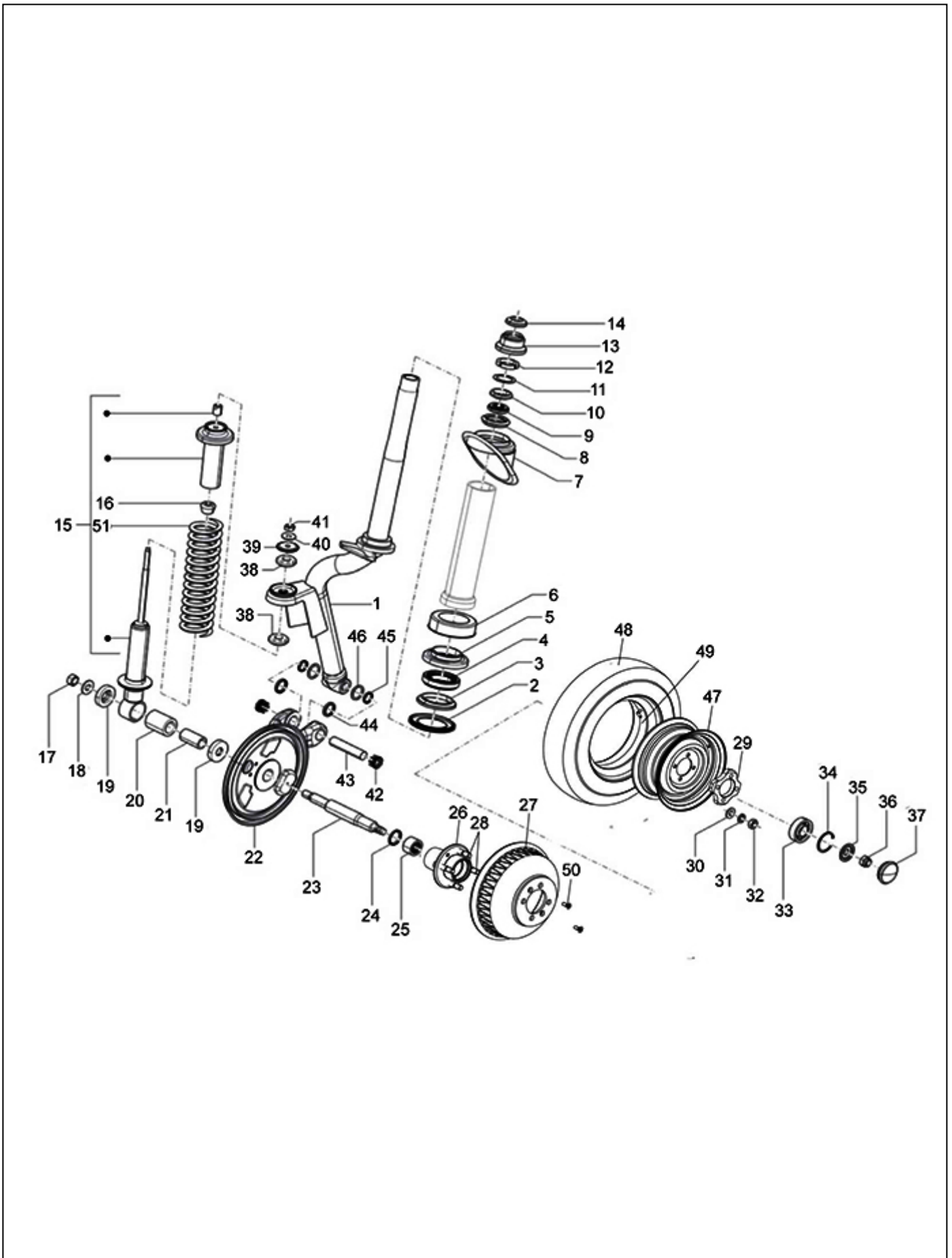


PLATE-29**FORK/STEERING TUBE - STEERING BEARING UNIT**

Fig. No.	Part No.	Description	Qty	Remarks
1	B078679SP	STRG. COLUMN ASSY COMPL-PAX UPGR SPD	1	ASSY.INC. SUS., BACK PLATE ASSY & BRK DRUM&SUS.
1	B073667SP	STEERING COLUMN ASSLY (NRB)-PAX UPGR SPD	1	ASSY.INC. SUS., BACK PLATE ASSY
1	B075694	STEERING COLUMN WITH IP	1	
2	109066	WASHER WITH PROTECTION FOR BEARING	1	
3	567993	BEARING RACE LOWER BOTTOM	1	
4	6C000191	LOWER BALL CAGE (VE)	1	
5	567992	BEARING RACE LOWER TOP	1	
6	109064	DUST COVER	1	
7	109265	SPLASH GUARD DUST COVER	1	
8	567990	BEARING RACE UPPER BOTTOM	1	
9	6C000190	UPPER BALL CAGE (VE)	1	
10	567991	BEARING RACE UPPER TOP	1	
11	108873	STOP WASHER FOR HOLDING	1	
12	108874	SECURING RING NUT	1	
13	604758	PROTECTION	1	
14	604759	RUBBER CAP STEERING COLUMN (N.I.)	1	
15	B073690	FRONT SHOCK ABSORBER	1	
16	75708	SILENT BLOCK	1	
17	568095	NYLOCK NUT	1	
18	87067	PLAIN WASHER 30.5X14.3X2	1	
19	87067	PLAIN WASHER 30.5X14.3X2	2	
20	566545	RUBBER BUSH (FRT SHOCK ABSORBER) - MODIFIED	1	
21	109117	RUBBER BUSH (FRT SHOCK ABSORBER) / RING	1	
22	B024113	FRONT BRAKE ASSY.	1	
23	643772R	FRONT WHEEL AXLE	1	
24	196302	OIL SEAL	1	
25	125289	NEEDLE BEARING, CRANKASE, FRONT WHEEL	1	
26	B077465	FRONT HUB S/A	1	
27	B077245	BRAKE DRUM (CAST IRON)	1	
28	B001301	BOLT FRONT HUB.	4	
29	B077461	SPACER DISC FRONT WHEEL MTG (ALUMIN.)	1	
30	B008915	PLAIN WASHER 16.6X10.2X1	4	
31	16410	SPRING WASHER	4	
32	20110	HEX NUT M10	4	
33	30209R	BALL BEARING FRONT WHEEL HUB	1	

PLATE-29

FORK/STEERING TUBE - STEERING BEARING UNIT

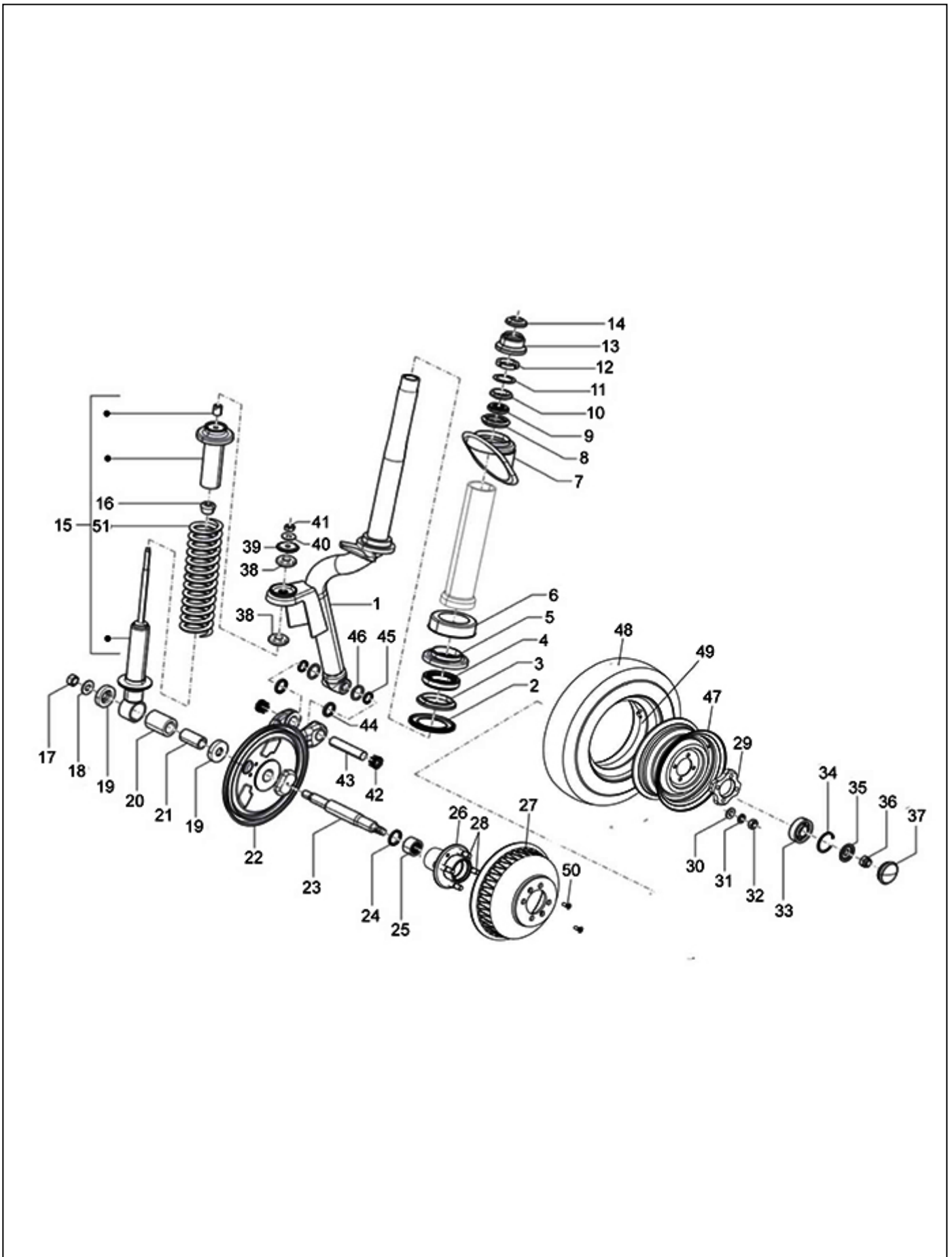


PLATE-29**FORK/STEERING TUBE - STEERING BEARING UNIT**

Fig. No.	Part No.	Description	Qty	Remarks
34	567473	CIRCLIP DIA. 42 INT. (841004203)	1	
35	180431	COIN WASHER	1	
36	74521	NUT M14 X 1.5	1	
37	107871	CAP	1	
38	74414	RUBBER BUSH/BUFFER FOR COUPLING SHOCK ABSORBE	2	
39	6066	PL WASHER 10.5X38X9	1	
40	16410	SPRING WASHER	1	
41	20110	HEX NUT M10	1	
42	107718	ROLLER BUSH	2	
43	137235	STEERING PIN	1	
44	150579	RING FOR HOLDING TYPE J F101 17A	2	
45	8771	OIL SEAL (18-24-4)	2	
46	6733	O RING	2	
47	6C000430	WHEEL RIM ASSY	1	
48	B001315	TYRE (4.0 X 8,4 PR)	3	
49	B001316	INNER TUBE FOR TYRE 4.0 X 8 INCH	3	
50	812061656	CSK PHILIPS HEAD SCREW M6 X 16	2	
51	940066	SPRING SHOCK ABSORBER-UG / RING	1	

PLATE-30

REAR SUSPENSION - SHOCK ABSORBER/S & ENGINE SUPPORT

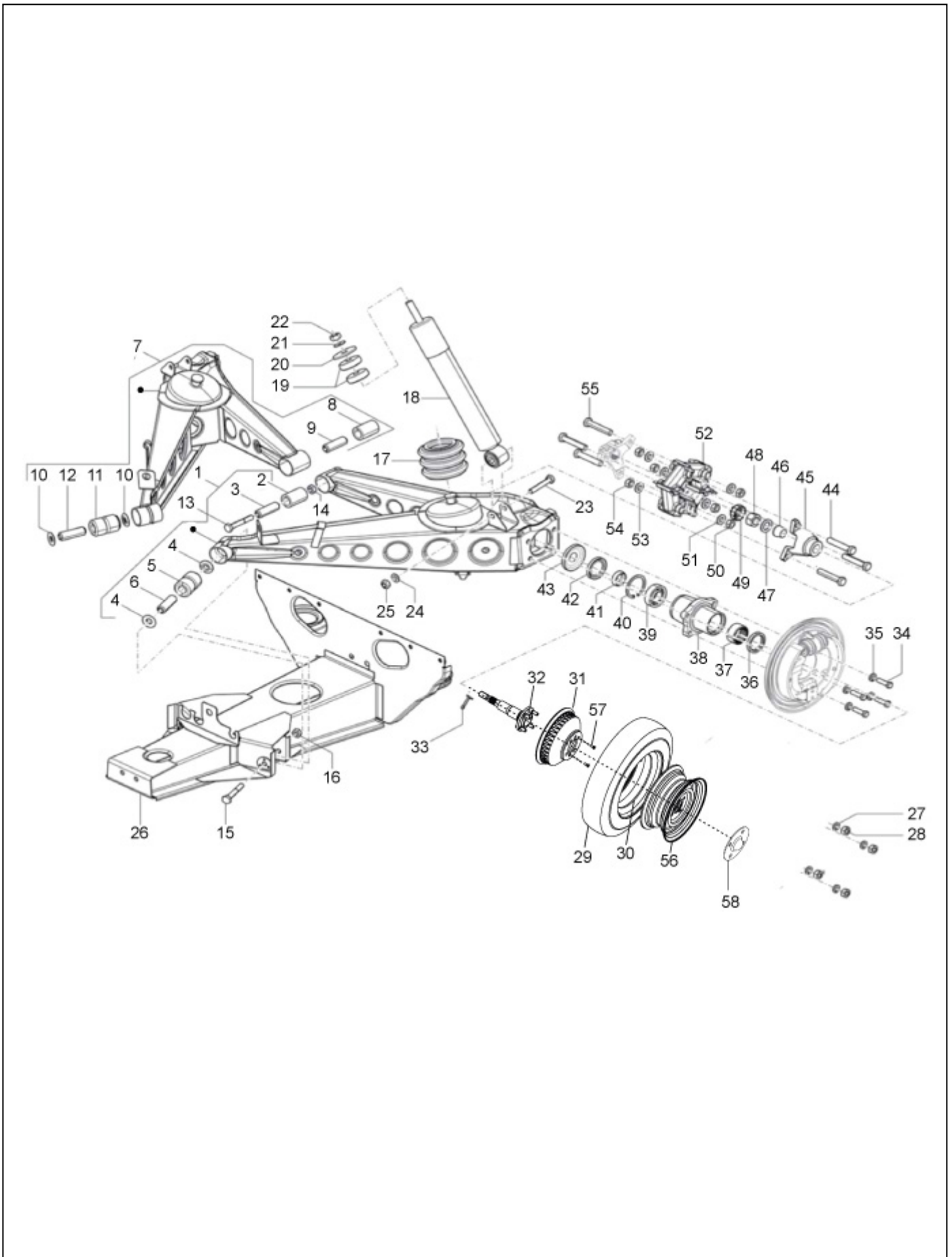


PLATE-30**REAR SUSPENSION - SHOCK ABSORBER/S & ENGINE SUPPORT**

Fig. No.	Part No.	Description	Qty	Remarks
1	B075807	ARM SUB ASSY. LH - REAR SUSPENSION	1	
2	226662	RING FOR ELASTIC SUPPORT	1	
3	226661	INTERNAL BUSH	1	
4	661266	SHOULDER WASHER	2	
5	226596	BUSH FRONT RING FOR ELASTIC SUPPORT	1	
6	267065	SPACER FRONT	1	
7	B075808	ARM SUB ASSY. RH - REAR SUSPENSION	1	
8	226662	RING FOR ELASTIC SUPPORT	1	
9	226661	INTERNAL BUSH	1	
10	661266	SHOULDER WASHER	2	
11	226596	BUSH FRONT RING FOR ELASTIC SUPPORT	1	
12	267065	SPACER FRONT	1	
13	643741	HEX HDD BOLT M10 X 80 CL 12.9	2	
14	231370	SELF BREAKING NUT M10	2	
15	643741	HEX HDD BOLT M10 X 80 CL 12.9	2	
16	231370	SELF BREAKING NUT M10	2	
17	B076290	RUBBER BUMPER	2	
18	B076292	SHOCK ABSORBER REAR - BSIV	2	
19	157103	BUSH - SHOCK ABSORBER	2	
20	6066	PL WASHER 10.5X38X9	2	
21	16410	SPRING WASHER	2	
22	20110	HEX NUT M10	2	
23	267068	HEX HEAD BOLT M10 X 60 CC 10.9	2	
24	286328	PLAIN WASHER 20X10.2X2	2	
25	231370	SELF BREAKING NUT M10	2	
26	B075798	FRAME ASSY. SUSPENSION & ENGINE SUPPORT	1	
27	16410	SPRING WASHER	4	
28	20110	HEX NUT M10	4	
29	B001315	TYRE (4.0 X 8,4 PR)	3	
30	B001316	INNER TUBE FOR TYRE 4.0 X 8 INCH	3	
31	B077245	BRAKE DRUM (CAST IRON)	2	
32	B077458	REAR AXLE COMPLETE	2	
33	12790	SPLIT PIN	2	
34	6C000231	M8X1.25X35 HEX COMBI SCREW-12.9	8	
35	016408	SPRING WASHER	8	

PLATE-30

REAR SUSPENSION - SHOCK ABSORBER/S & ENGINE SUPPORT

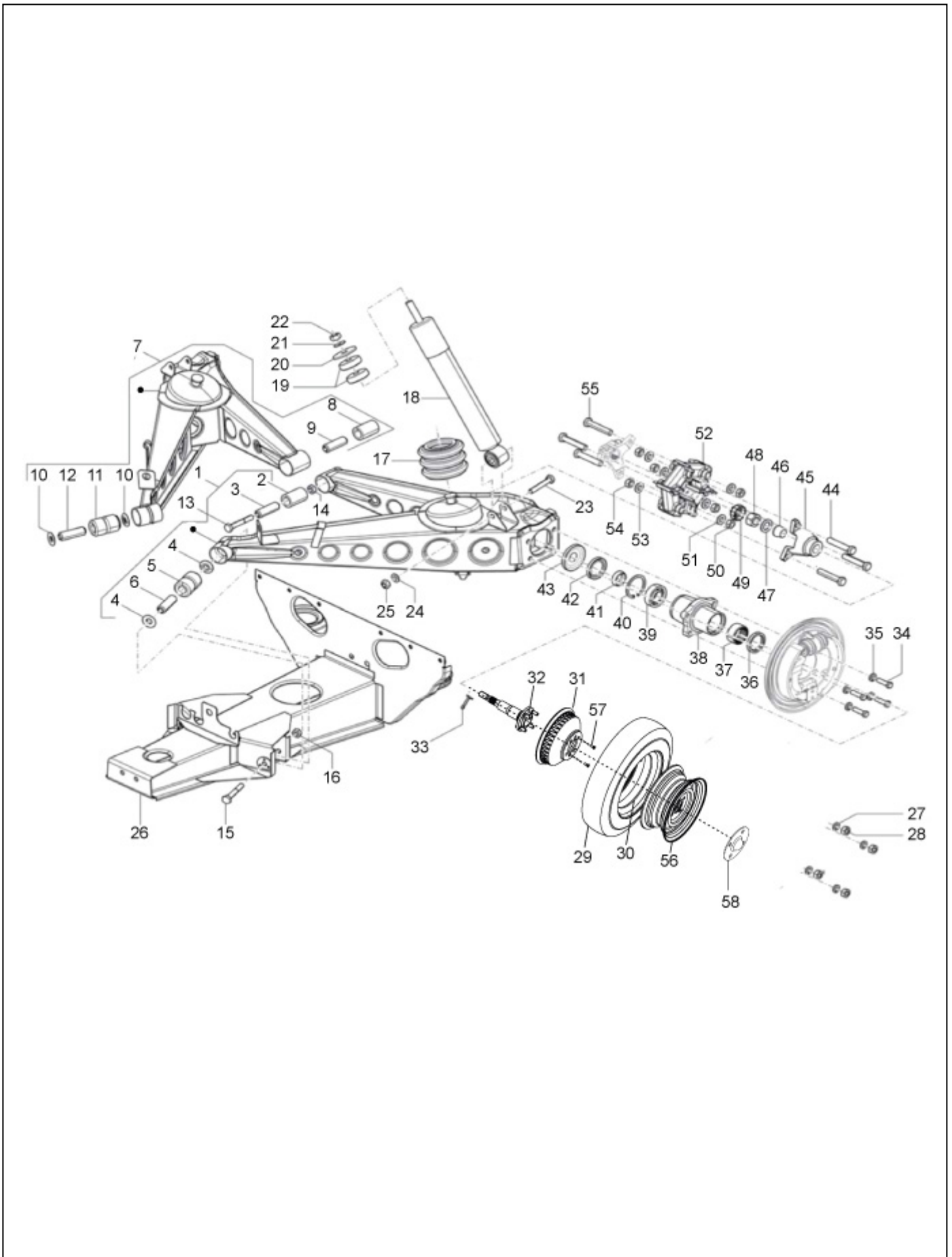


PLATE-30**REAR SUSPENSION - SHOCK ABSORBER/S & ENGINE SUPPORT**

Fig. No.	Part No.	Description	Qty	Remarks
36	20359	SEAL RING	2	
37	661282	NEEDLE ROLLER BEARING	2	
38	6C000530	REAR WHEEL HUB	2	
39	243303R	DEEP GROVE BALL BRG-RR WH AXLE	2	
40	6650	CIRCLIP DIA 50 (INT)	2	
41	661267	RING	2	
42	196302	OIL SEAL	2	
43	109892	PROTECTION CUP RR HUB	2	
44	15594	HEX HDD BOLT M10 X 35	6	
44.1	B024373	ALLEN BOLT M10X65 CL 10.9	6	
45	587617	ELASTIC JOINT CONNECTION HUB (WHL - SIDE)	2	
46	128633	CONE	2	
47	3068	PLAIN WASHER	2	
48	21118	HEX NUT M18 X 1.5P	2	
49	177559	CAP	2	
50	231370	SELF BREAKING NUT M10	3	
51	237246	SHIM WASHER 20X10.2X1	3	
52	604535	FLEXIBLE COUPLING	2	
53	237246	SHIM WASHER 20X10.2X1	3	
54	231370	SELF BREAKING NUT M10	3	
55	B024373	ALLEN BOLT M10X65 CL 10.9	3	
56	6C000430	WHEEL RIM ASSY	2	
57	812061656	CSK PHILIPS HEAD SCREW M6 X 16	2	
58	B077481	WHEEL CAP	1	

PLATE-31
DRIVE SHAFT & BELLOW

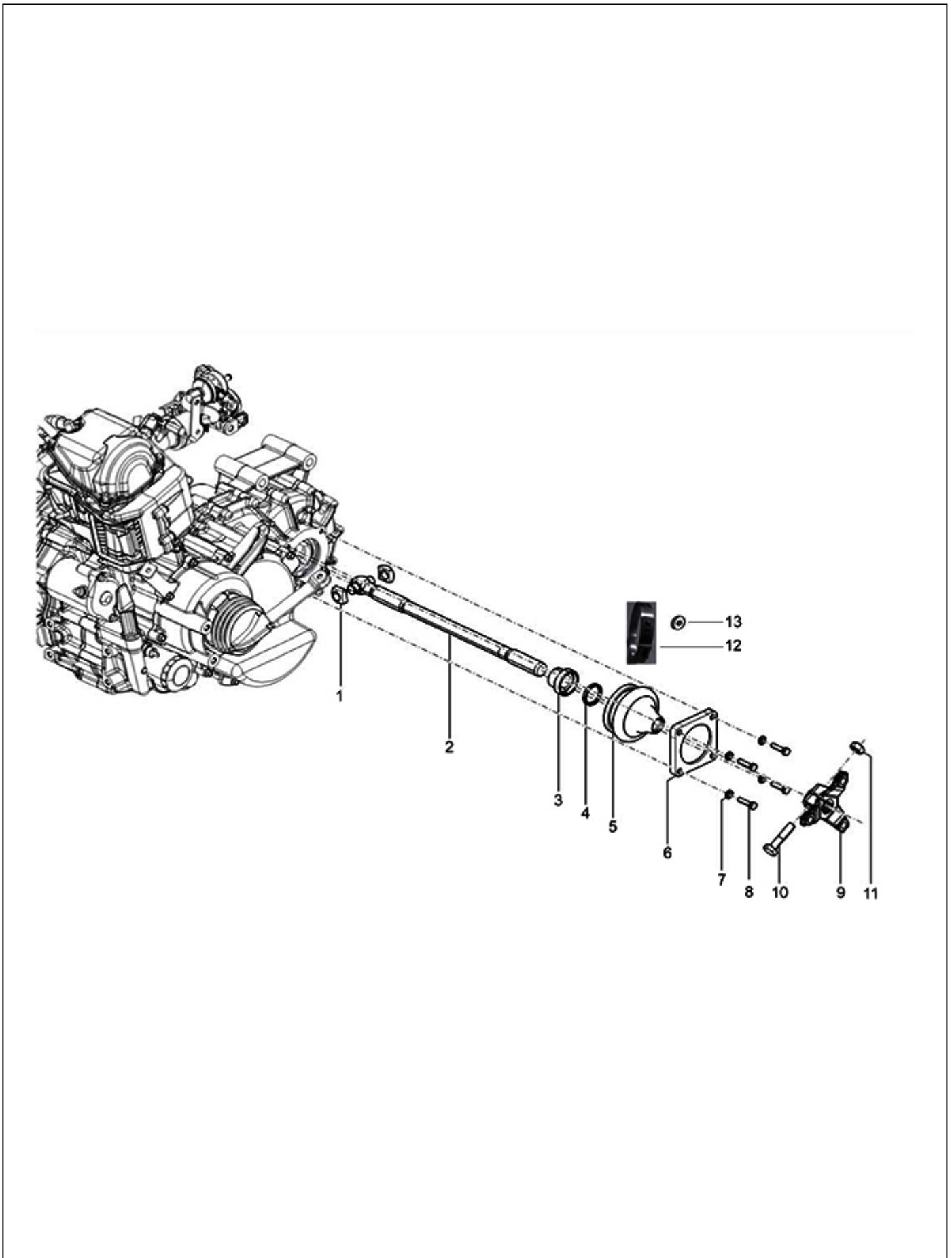


PLATE-31**DRIVE SHAFT & BELLOW**

Fig. No.	Part No.	Description	Qty	Remarks
1	112867R	SLIDER BLOCK PROP. SHAFT	4	
2	B023940	PROP. SHAFT S/A	2	
3	113278	BRACKET RETAINER RING (41736)	2	
4	6C000312R	SEAL RING	2	
5	6C000016	BELLOW	2	
6	111356	COVER	2	
7	016406	SPRING WASHER	8	
8	31092	HEX. HD SCREW M6X25	8	
9	111498	ELASTIC HUB	2	
10	B024614	HEX HEAD BOLT M10X45 CL 10.9	2	
11	231370	SELF BREAKING NUT M10	2	
12	6C000041	OTIKAR CLAMP FOR BELLOW	2	
13	3056	PLAIN WASHER M6 OD12	2	

PLATE-32

Front Brake Assembly

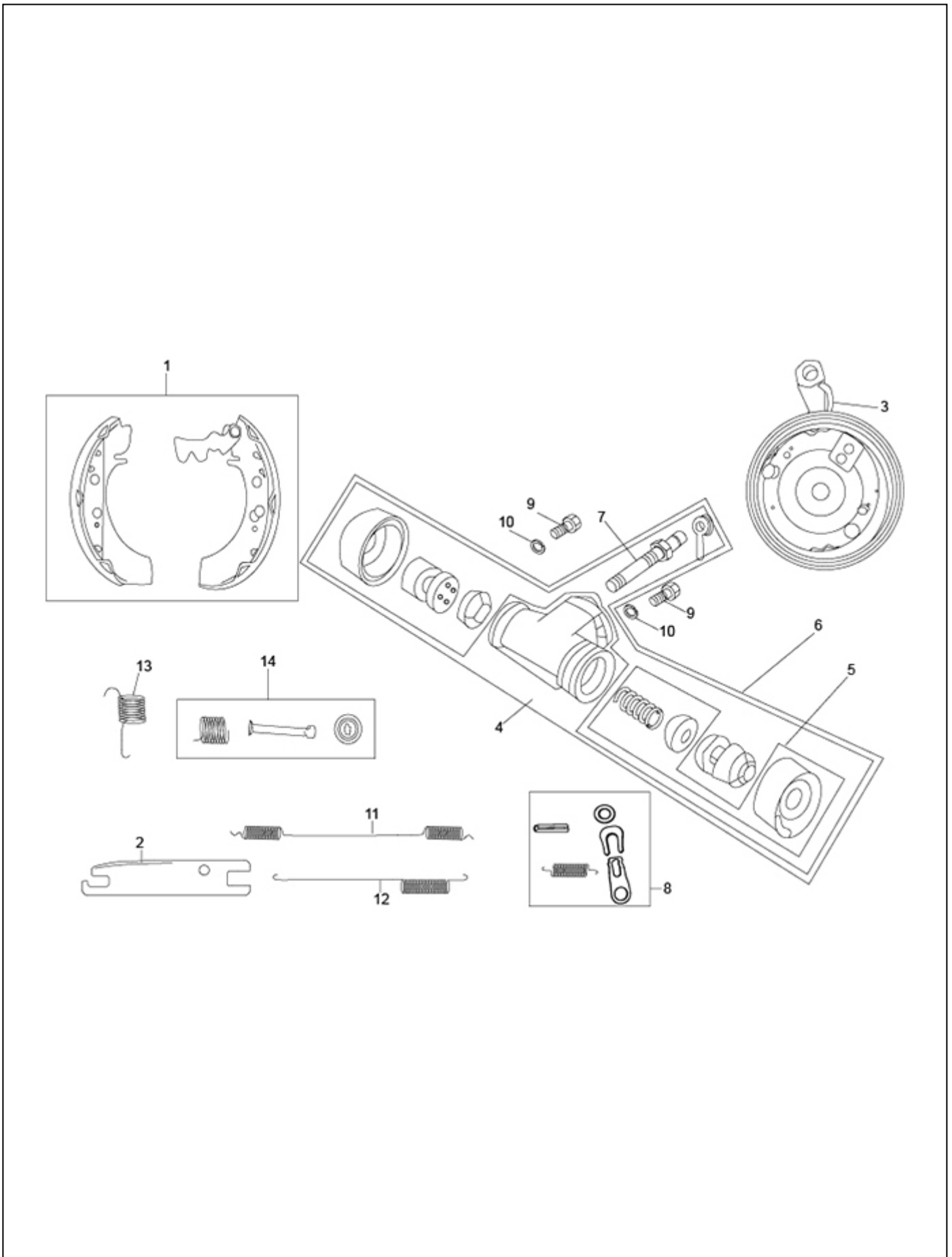


PLATE-32**Front Brake Assembly**

Fig. No.	Part No.	Description	Qty	Remarks
1	KIT95033	FRONT BRAKE LINERS KIT	1	
2	B003008	STRUT FRONT	1	
3	B024113	FRONT BRAKE ASSY.	1	
4	B003017	WHEEL CYLINDER ASSY.	1	
5	B003325	MINOR KIT WHEEL CYLINDER	1	
6	B003324	MAJOR KIT WHEEL CYLINDER	1	
7	B003300	BLEEDER SCREW	1	
8	B006509	CLIP & PIN KIT	1	
9	63440	BOLT M6X12	2	
10	12536	SPRING WASHER	2	
11	B003004	SHOE RETURN SPRING (UPPER)	1	
12	B003003	SHOE RETURN SPRING (LOWER)	1	
13	B003002	STRUT SPRING	1	
14	KIT95036	SHOE HOLD DOWN KIT	1	

PLATE-33

Rear Brake Assembly

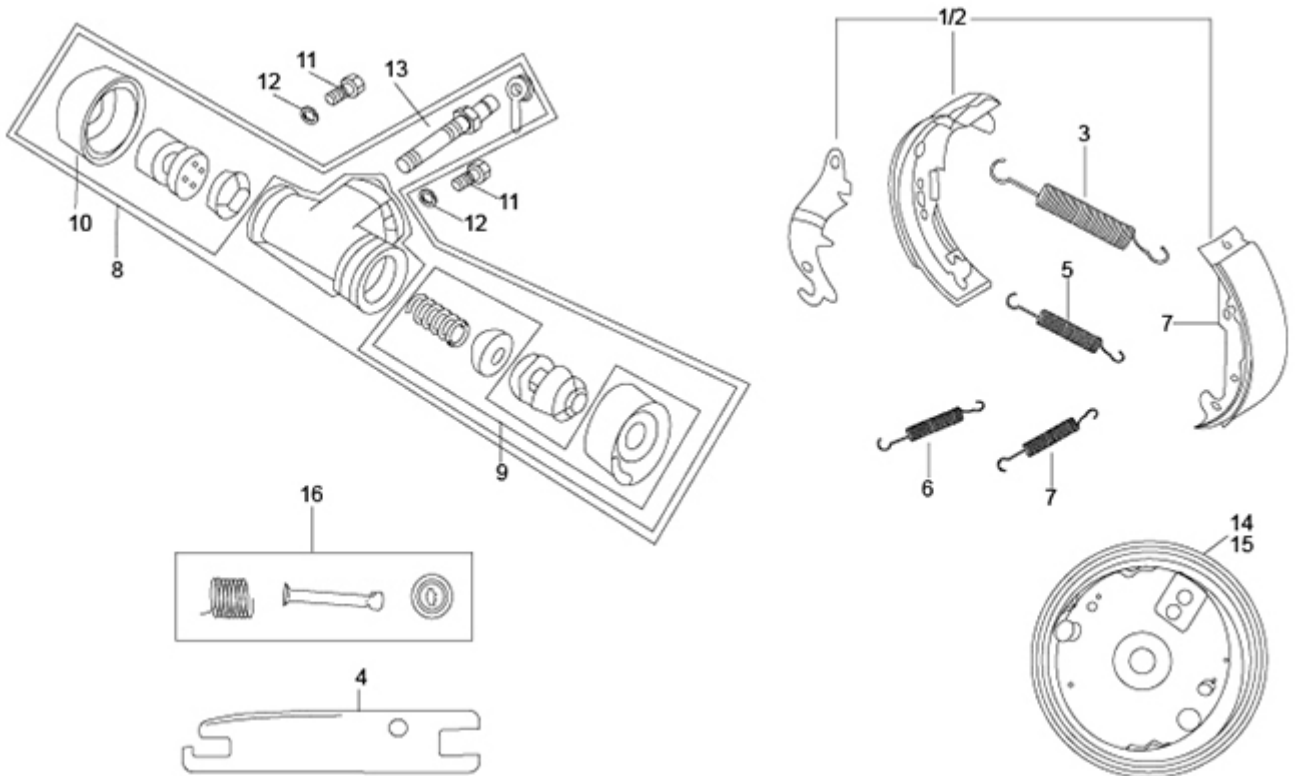


PLATE-33**Rear Brake Assembly**

Fig. No.	Part No.	Description	Qty	Remarks
1	B003330	REAR BRAKE SHOE KIT LH	1	
2	B003331	REAR BRAKE SHOE KIT RH (NI)	1	
3	B003004	SHOE RETURN SPRING (UPPER)	2	
4	B003012	STRUT REAR	2	
5	B003003	SHOE RETURN SPRING (LOWER)	2	
6	B003011	STRUT SPRING RH	1	
7	B003002	STRUT SPRING	1	
8	B003014	WHEEL CYLINDER ASSY. DIA.25.4 MM	1	
9	925574	MINOR KIT WHL CYL. RR	1	
10	B003328	MAJOR KIT WHEEL CYLINDER	1	
11	B002486	BOLT M8 X 35 6G CL 12.9	4	
12	12536	SPRING WASHER	4	
13	B003300	BLEEDER SCREW	2	
14	B001228	BRAKE PLATE ASSY. RH	1	
15	B001225	BRAKE PLATE ASSY. LH (N.I.)	1	
16	B003327	SHOE HOLD DOWN KIT	1	

PLATE-34
CABLES

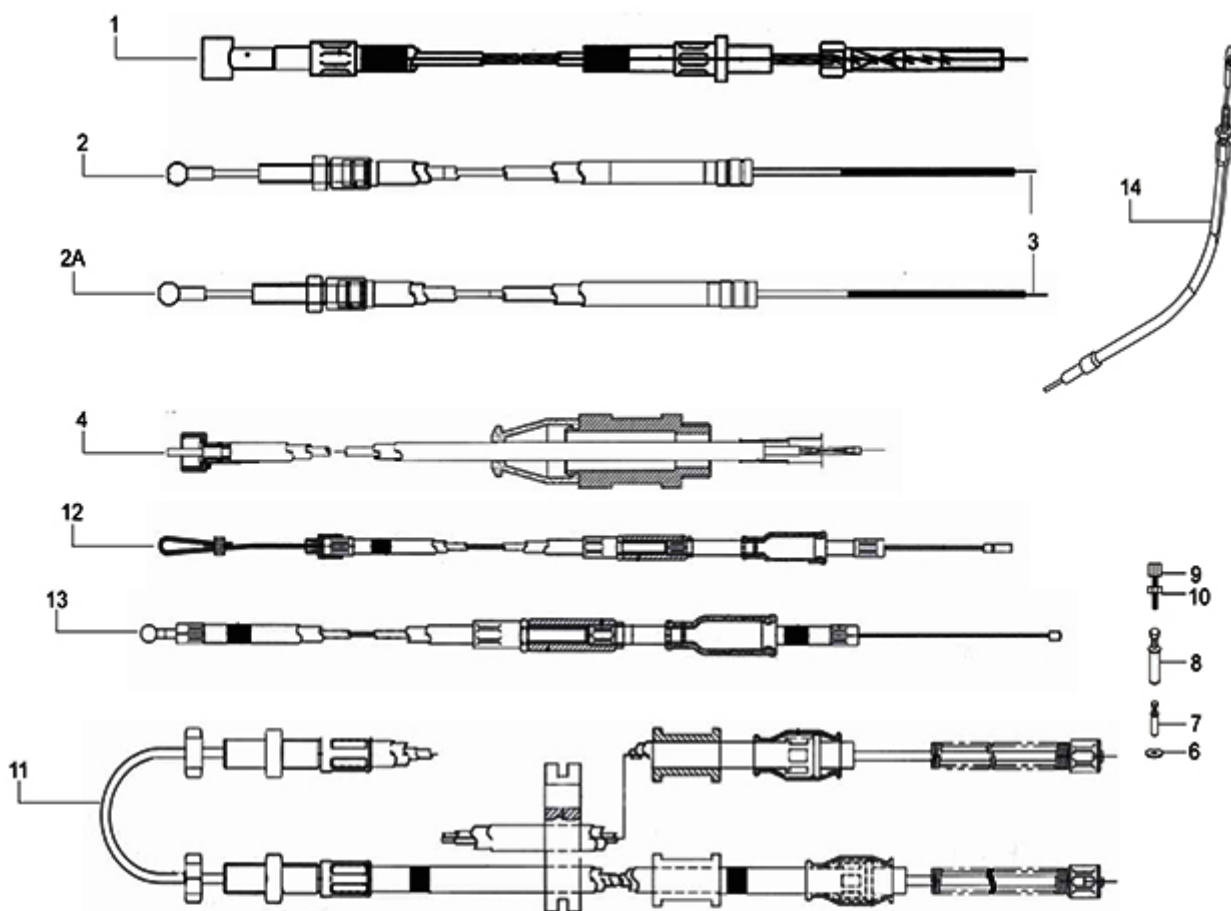


PLATE-34**CABLES**

Fig. No.	Part No.	Description	Qty	Remarks
1	B075960	COVER REVERSE GEAR CONTROL	1	
1	B075566	CLUTCH CONTROL TRANSMISSION ASSLY.	1	
2	B073469	CABLE,GEAR CONTROL ASSLY NO.2	1	
2A	B075716	CABLE,GEAR CONTROL ASSLY -WHITE	1	
3	6A000068	INNER GEAR CONTROL CABLE (BLACK/WHITE)	1	
4	B076208	SPEEDO CABLE	1	
4a	6A001834	FLEXIBLE TRANSMISSION CABLE WITH WASHER	1	NI,Speedo Inner for B076208
5	6A000070	REVERSE GEAR INNER CABLE	1	
6	1A008804	REVERSE CABLE REACTION BRACKET	1	
7	B076078	SCREW TERMINAL ASSLY(REVERSE CABLE)	1	
8	B076364	SCREW TERMINAL ASSY. - GEAR CONTROL	2	
9	197071	ADJUSTER SCREW M6	2	
10	20106	HEX NUT M6	2	
11	B041774	PARKING BRAKE CABLE ASSY	1	
12	B042356	ACCELERATOR CABLE WITH JONT (NEW)	1	PETROL
13	B075565	CABLE ASSLY CHOKE CONTROL	1	PETROL
14	B076036	ASSLY REVERSE GEAR CONTROL CABLE	1	
15	B075960	COVER REVERSE GEAR CONTROL	1	NI

PLATE-35

TMC & BRAKING SYSTEM & TUBES

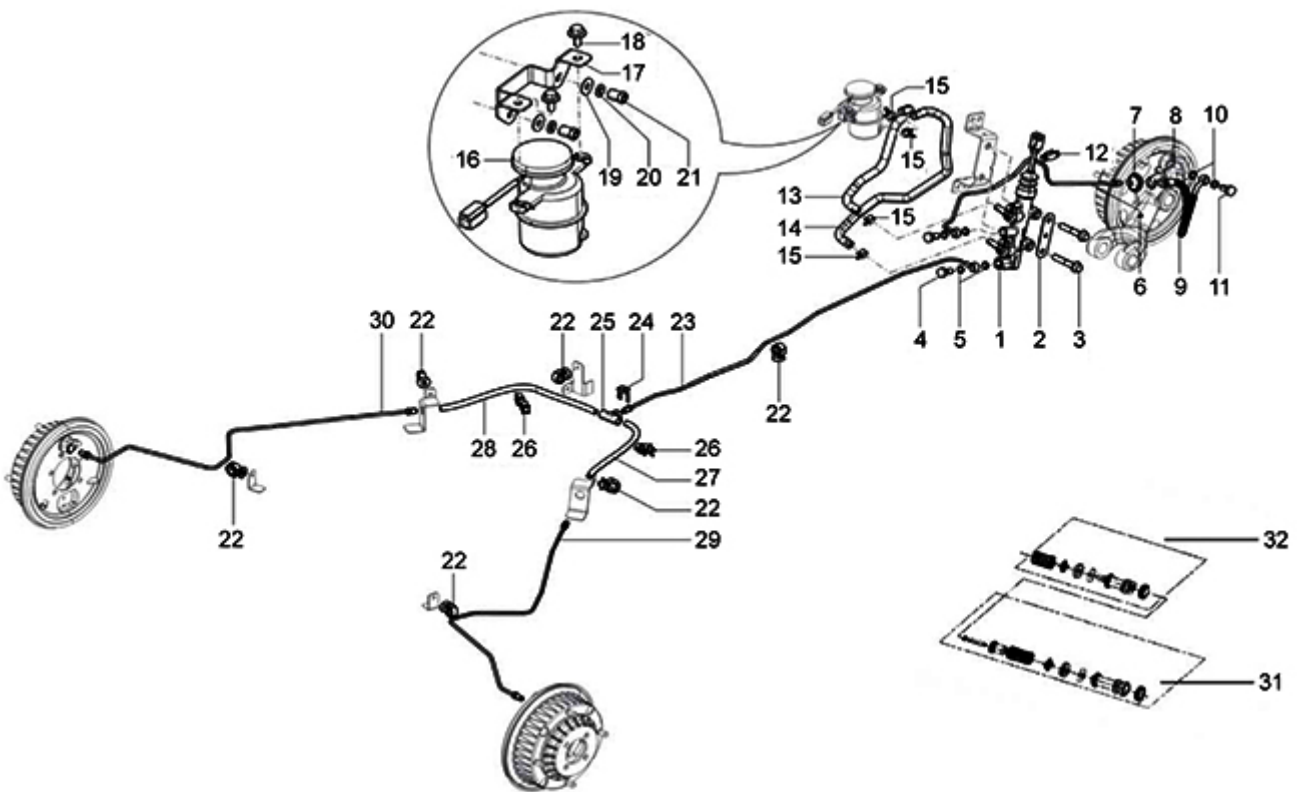


PLATE-35**TMC & BRAKING SYSTEM & TUBES**

Fig. No.	Part No.	Description	Qty	Remarks
1	B075485	TMC ASSY.(19.05)	1	
2	B075950	TMC SHIELD MTG. BKT.	1	
3	B074999	HEX BOLT	2	
4	661229	BANJO BOLT	2	
5	B076747	COPPER WASHER	4	
6	B075490	BRAKE BUNDY TUBE TMC TO FRONT WHEEL	1	
7	138237	CAP	1	
8	48197	PL WASHER 24X16X1.5	1	
9	587624R	FLEXIBLE PIPING FOR FRONT WHEEL BRAKE R	1	
10	127927R	PACKING	2	
11	587829	BENJO BOLT	1	
12	B076818	SEPARATOR CLAMP	1	
13	B075488	TUBE NO-1-BRAKE OIL TANK TO TMC	1	
14	B075489	TUBE NO-2 -BRAKE OIL TANK TO TMC	1	
15	1A007152	HOSE CLAMP	4	
16	B073788	BRAKE OIL TANK	1	
17	NS	NOT SERVICEABLE	1	
18	661229	BANJO BOLT	2	
19	013880	PLAIN WASHER	2	
20	016406	SPRING WASHER	2	
21	632056	HEX NUT M6	2	
22	B076007	PIPE CLIP 1 WAY	6	
23	B075491	BRAKE BUNDY TUBE TMC TO REAR WHEEL	1	
24	136916	PLATE FOR RETAINING THE BRAKE FLEX. PIPE	1	
25	643692	THREE WAY UNION	1	
26	B075838	CLAMP	4	
27	644814R	FLEXIBLE BRAKE HOSE	1	
28	B023786R	FLEXIBLE PIPE FOR REAR WHEEL BRAKE	1	
29	B075836	BRAKE BUNDY TUBE FOR RH REAR WHEEL	1	
30	B075835	BRAKE BUNDY TUBE FOR LH REAR WHEEL	1	
31	940067	MAJOR KIT TMC (UG)	1	
32	940068	MINOR KIT TMC (UG)	1	

PLATE-36

CONTROL PEDALS - LEVERS

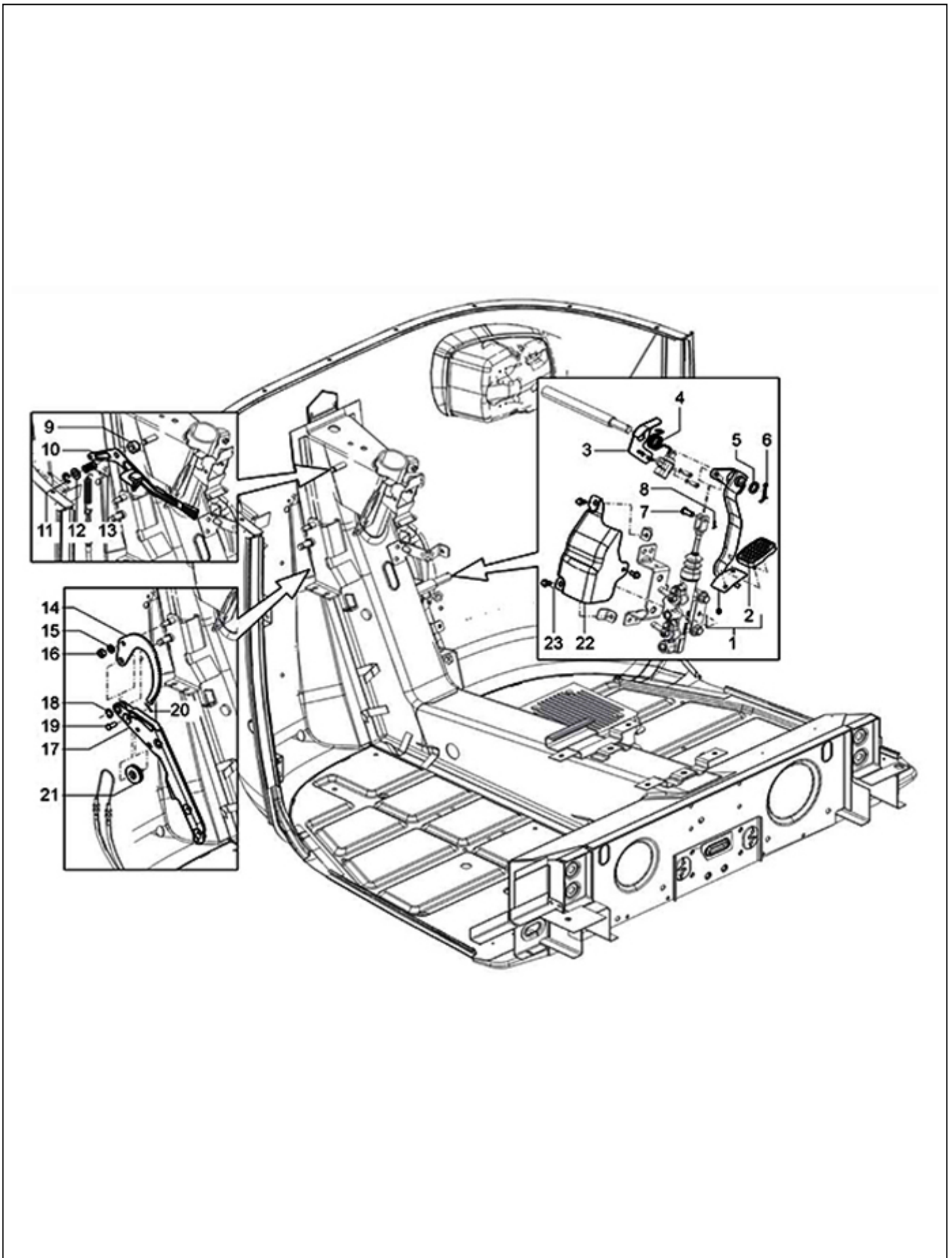


PLATE-36**CONTROL PEDALS - LEVERS**

Fig. No.	Part No.	Description	Qty	Remarks
1	B076847	BRAKE PEDAL ASSLY	1	
2	567461	RUBBER PROTECTION FOR PEDAL	1	
3	B075495	RACKET BRAKE SWITCH MTG. ASSLY	1	
4	B073800	TORSIONAL SPRING	1	
5	229524	WASHER 21X14.3X2	1	
6	568737	SPLIT PIN 4 X 25 (821 0425 2 2)	1	
7	652001	PIN	1	
8	567920	SPLIT PIN	1	
9	B042317	SPACER-RC LEVER	1	
10	B076455	LEVER S/ASSLY. REVERSE	1	
11	5969	CIRCLIP DIA 9 E TYPE	1	
12	6173	METALLIC PLAIN WASHER (808001026)	1	
13	108785	SPRING	1	
14	B042794	RATCHET , HAND BRAKE CONTROL	1	
15	016408	SPRING WASHER	1	
16	20108	HEX NUT M8	1	
17	B075697	HAND BRAKE CONTROL ASSLY	1	
18	6411	EXT CIRCLIP DIA 11	1	
19	567899	CLEVIS PIN	1	
20	567920	SPLIT PIN	1	
21	B075475	PULLEY FOR HAND BRAKE	1	
22	B075949	TMC PROTECTIVE SHIELD	1	
23	B074999	HEX BOLT	3	
24	B076036	ASSLY REVERSE GEAR CONTROL CABLE	1	
25	604717	KNOB FOR R.C.	1	NI

PLATE-37

SELECTORS - SWITCHES - BUTTONS

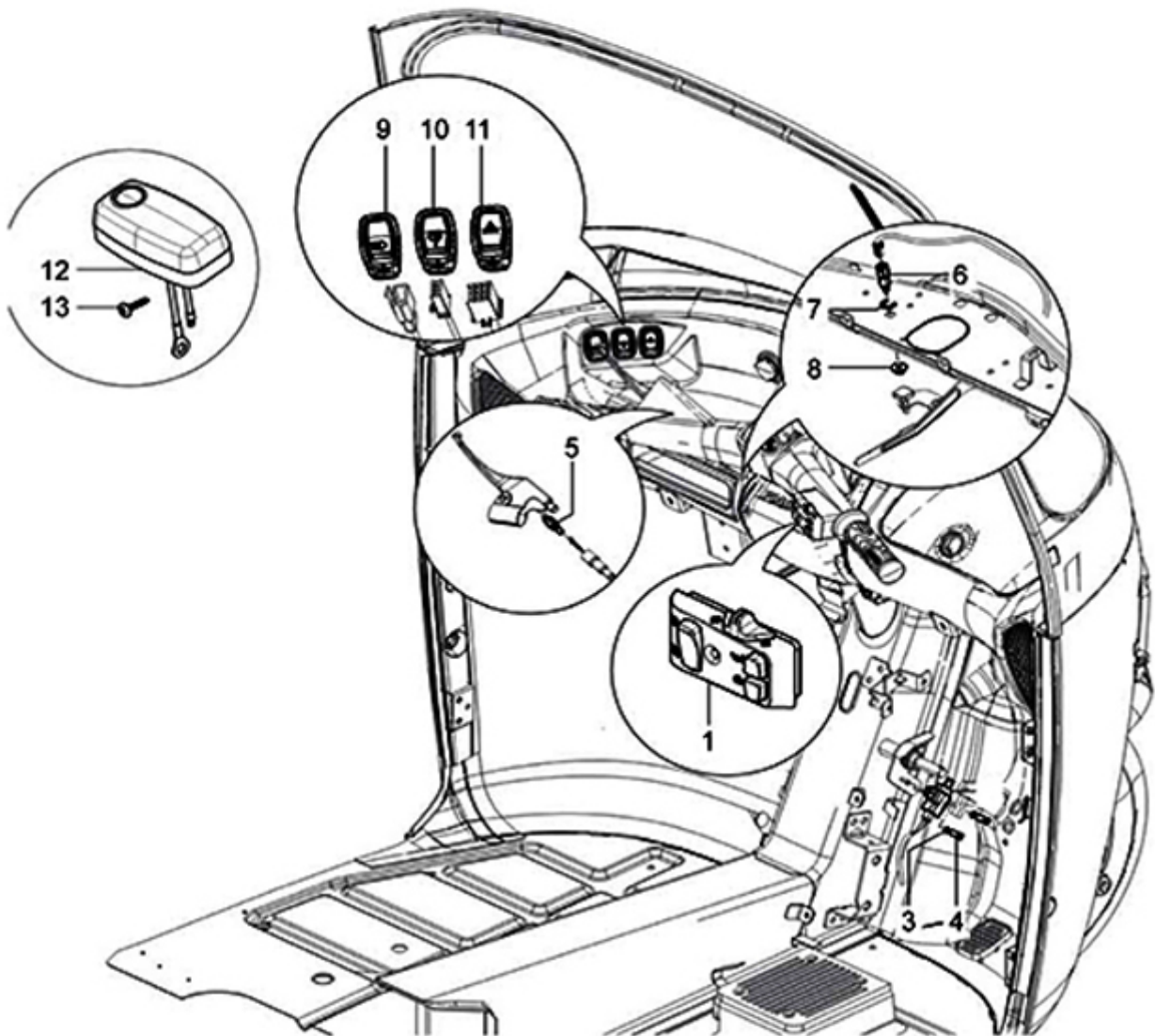


PLATE-37**SELECTORS - SWITCHES - BUTTONS**

Fig. No.	Part No.	Description	Qty	Remarks
1	B073850R	HBS (ST. BUTTON) - CITY UPGRADE (NEW)_ALL NUOVO MODEL	1	
2	567498R	BRAKE/REVERSE LIGHT SW (INTEGRAL CAP)- PAV	1	
3	3054	PLAIN WASHER	2	
4	B074568	SCREW TERMINAL	2	
5	642032	PUSH BUTTON-CLUTCH	1	
6	640762	PUSH BUTTON REVERSE	1	
7	5969	CIRCLIP DIA 9 E TYPE	1	
8	B076448	BUSH REVERSE SWITCH MTG.	1	
9	B073478R	SWITCH 3 POSITION	1	
10	B073479R	WIPER MOTOR SWITCH/ SWITCH WIPER MOTOR	1	
11	B073481R	HAZARD WARNING SWITCH WITH CROWN CAP (12V)(VE)	1	
12	B073715	CABIN LAMP	1	
13	15727	PAN SELF TAPPING SCREW	2	

PLATE-38
TAIL LAMP ASSY

4/5

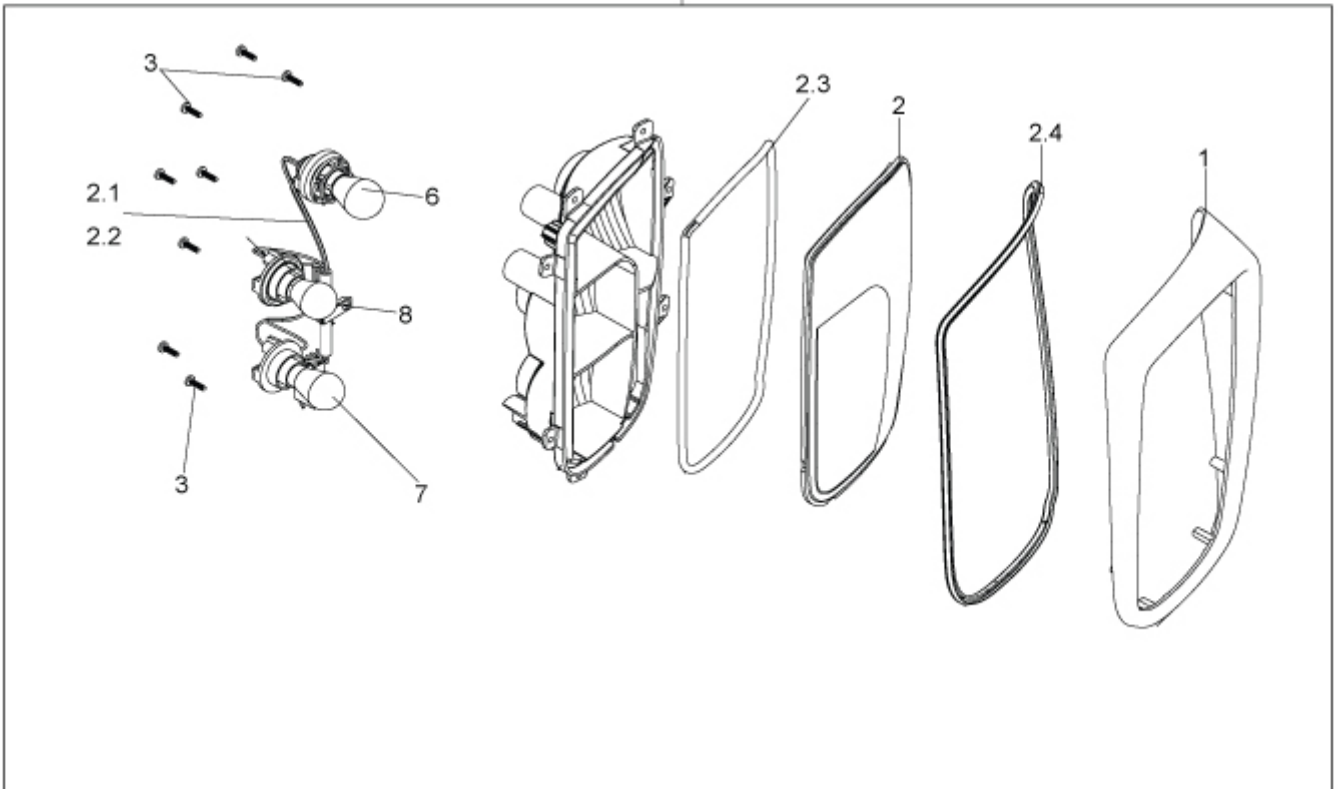


PLATE-38**TAIL LAMP ASSY**

Fig. No.	Part No.	Description	Qty	Remarks
1	NEW	NEW PART UNDER DEVELOPMENT	1	EXPORT
1	NEW1	OUTER BEZEL WITH RUBBER BEADING LH	1	EXPORT
2	6D000420	COMPLETE LENS LH	1	
2	6D000421	COMPLETE LENS RH	1	
2.1	6D000424	WIRE ASSY (WITHOUT REVERSE)	2	
2.2	6D000435	WIRE ASSY(WITH REVERSE)	2	
2.3	6D000426	GASKET INBUILT LENS AND HOUSING	2	
2.4	6D000437	RUBBER BEADING	2	Under Development
3	6D000425	SCREW 3.5X10	16	
4	6D001104	TAILLAMP LH W / REV FUNCTION(ALU GREY)	1	EXPORT
5	6D001105	TAILLAMP RH W / REV FUNCTION(ALU GREY)	1	EXPORT
6	6D000427	BULB 12V P21/5W	2	
7	6D000429	BULB 12V PY21W	2	
8	6D000428	BULB 12V P21W	2	

PLATE-39
MAIN CABLE HARNESS

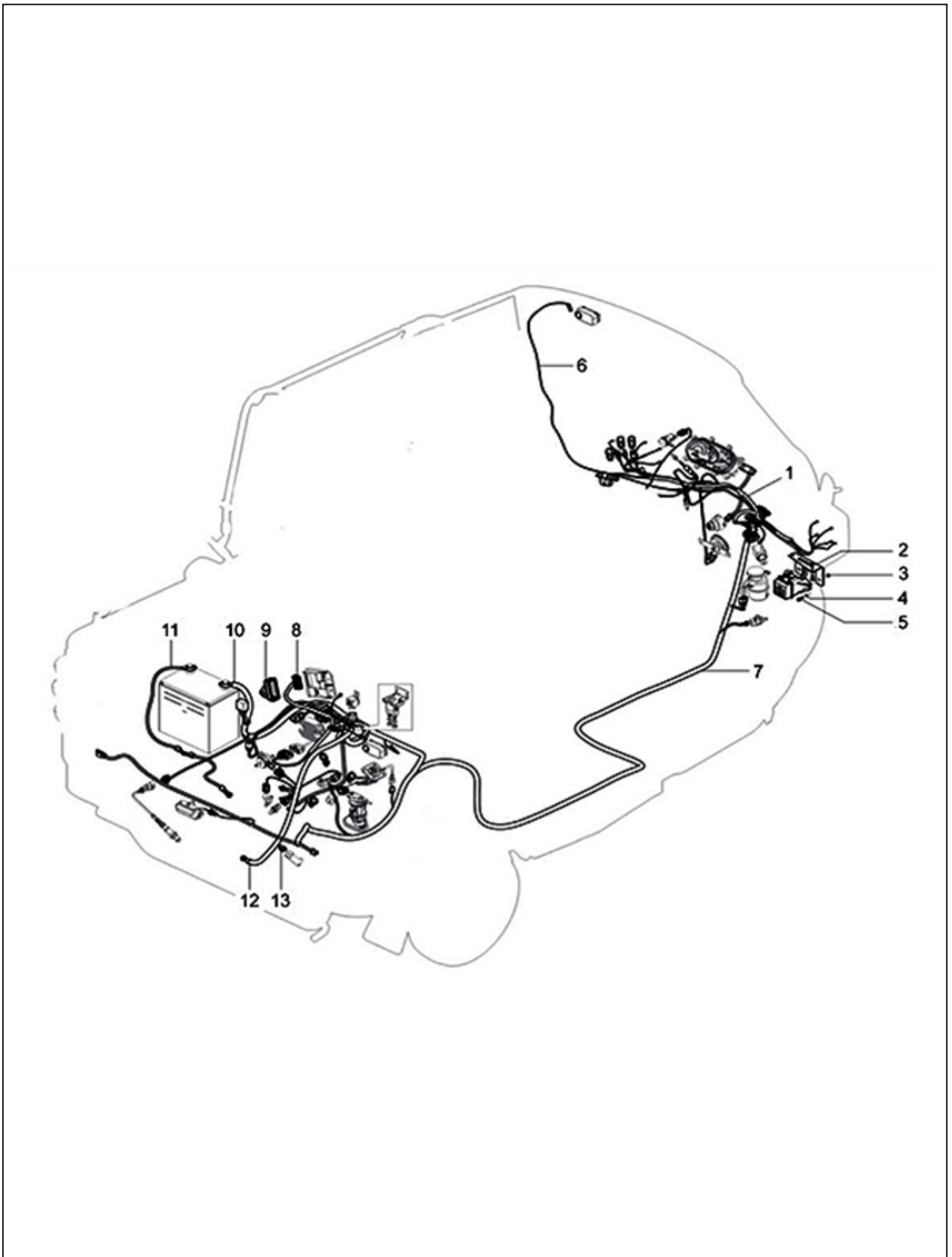


PLATE-39**MAIN CABLE HARNESS**

Fig. No.	Part No.	Description	Qty	Remarks
1	B077754	W/HS INST. PANEL_CITY PETROL(NEUTRAL)	1	PTL
2	B075693	MTG BKT ONE WAY FUSE - HOLDER	1	
3	20105	PLAIN NUT M5	4	
4	6965	SPRING WASHER DIA 5	4	
5	31058	HEX HEAD SCREW M5 X 16 CC8.8	4	
6	B073320R	PIG TAIL- CABIN LAMP (NEW)-PASSENGER	1	
7	B077685	MAIN_WHS _CITY DLX _PETROL (NEUTRAL SW)	1	PTL
9	569160	RUBBER BOOT	1	
10	B078212	BATTERY CABLE +VE-BATT. TO 4ST (CITY)	1	
11	B042063	BATTERY CABLE NEGATIVE	1	
12	B078213	BATTERY +VE CABLE-CUT STARTER MOTOR (LPG/CNG)	1	
13	1A007152	HOSE CLAMP	2	

PLATE-40
ELECTRICAL DEVICES

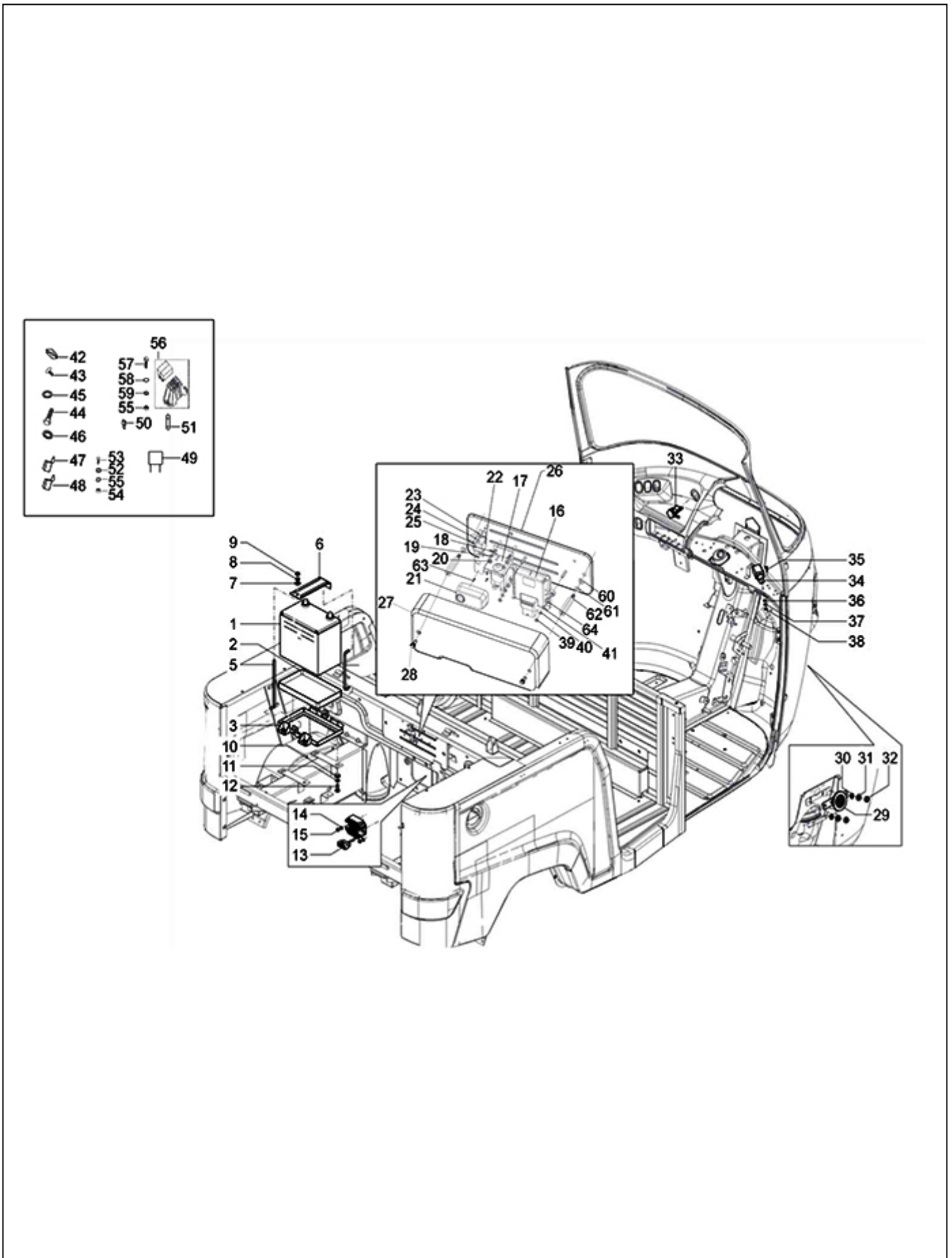


PLATE-40
ELECTRICAL DEVICES

Fig. No.	Part No.	Description	Qty	Remarks
1	B006544	BATTERY 12V-35AH	1	
2	616649	BATTERY TRAY	1	
3	B042895	BATTERY STAND S/A	1	
4	604954	TENSION ROD	1	
5	632508	TENSION ROD ASSY. (BATTERY MOUNTING.)	1	
6	B003978	BATTERY HOLDING PLATE	1	
7	2383	PLAIN WASHER M20X8.5X2	1	
8	016408	SPRING WASHER	1	
9	20108	HEX NUT M8	1	
10	13861	PLAIN WASHER 20X8.2X2.5	4	
11	016408	SPRING WASHER	4	
12	31119	HEX HD SCREW M8 X 25	4	
13	1D000671R	VOLTAGE REGULATOR	1	
14	3056	PLAIN WASHER M6 OD12	2	
15	20106	HEX NUT M6	2	
16	1D000510	ELECTRONIC STARTER UNIT	1	
17	587671R	4 ST RELAY SOLENOID	1	
18	3055	PLAIN WASHER M5	2	
19	16405	SPRING WASHER M5	2	
20	20105	PLAIN NUT M5	2	
21	B074491	ENGINE COMPARTMENT LAMP WITH PIGTAIL(UP)	1	
22	B023726R	REMOTE CONTROL SWITCH	1	NA
23	3056	PLAIN WASHER M6 OD12	1	
24	016406	SPRING WASHER	1	
25	31088	HEX HD SCREW M6 X 16 CL 8.8 (811061623)	1	
26	NS	NOT SERVICEABLE	1	
27	B073492	PLASTIC COVER-ELECTRICAL CLUSTER	1	
28	B042802	HEX SCREW	2	
29	B074033	HORN ASSLY(DIA 70)	1	
30	3056	PLAIN WASHER M6 OD12	2	
31	016406	SPRING WASHER	2	
32	20106	HEX NUT M6	2	
33	B074905	MOBILE CHARGER	1	
34	680166	SAFETY STARTER RELAY	1	
35	31057	HEX HEAD SCREW M5 X 14 CL 8.8	1	

PLATE-40
ELECTRICAL DEVICES

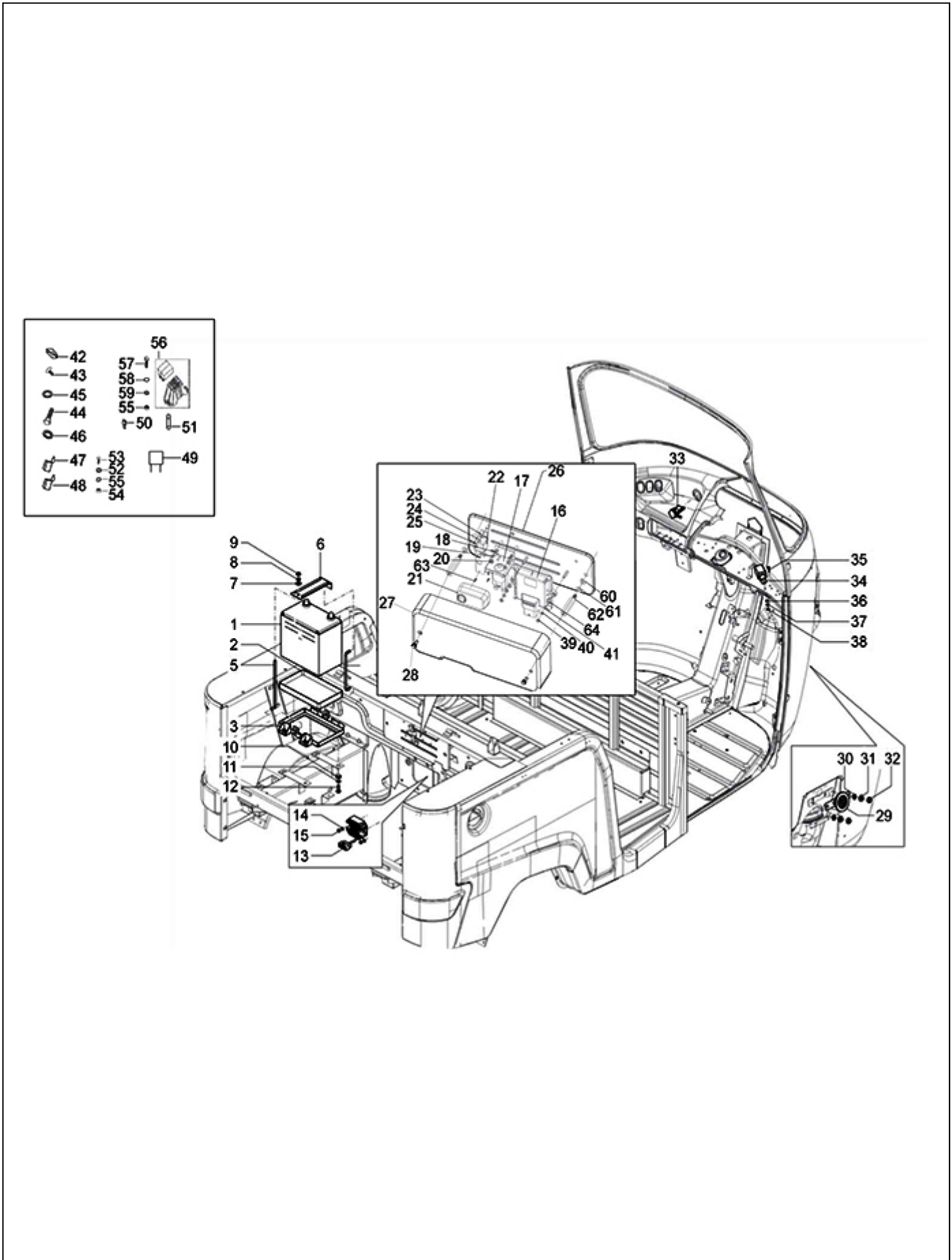


PLATE-40
ELECTRICAL DEVICES

Fig. No.	Part No.	Description	Qty	Remarks
36	3055	PLAIN WASHER M5	1	
37	12546	PLAIN WASHER / MULTI TOOTH LOCK WASHER M5	1	
38	20105	PLAIN NUT M5	1	
39	20106	HEX NUT M6	2	
40	016406	SPRING WASHER	2	
41	3056	PLAIN WASHER M6 OD12	2	
42	B075693	MTG BKT ONE WAY FUSE - HOLDER	2	
43	568692	PAN SELF TAP SCREW 6SG X 16AB	1	
44	31088	HEX HD SCREW M6 X 16 CL 8.8 (811061623)	1	
45	3056	PLAIN WASHER M6 OD12	1	
46	016406	SPRING WASHER	1	
47	680166	SAFETY STARTER RELAY	1	
48	B023727R	CONTACTOR	2	
49	567706	FUSE 30 A	1	
50	604557	FUSE (10A)	6	
51	925786	ECU - FUSE (2A) (N.I)	1	
52	12546	PLAIN WASHER / MULTI TOOTH LOCK WASHER M5	1	
53	31057	HEX HEAD SCREW M5 X 14 CL 8.8	1	
54	20105	PLAIN NUT M5	5	
55	3055	PLAIN WASHER M5	3	
56	567581	FOUR POLE FUSE BOX	1	
57	31058	HEX HEAD SCREW M5 X 16 CC8.8	24	
58	6078	PLAIN WASHER 12 X 5.2 X 1	2	
59	6965	SPRING WASHER DIA 5	4	
60	016408	SPRING WASHER	2	
61	3058	PLAIN WASHER 15X8.4X1.5	2	
62	B073490	MTG STUD FOR PLASTIC COVER	2	
63	15727	PAN SELF TAPPING SCREW	2	
64	B078506	BUSH	2	
65	6D000480	5A MINIVAL FUSE BIEGE	7	NI
66	6D000479	10A MINIVAL FUSE RED	4	NI
67	6D000481	15A MINIVAL FUSE BLUE	2	NI
68	6D000478	20A MINIVAL FUSE YELLOW	1	NI
69	6D000482	30A MICRO RELAY	1	NI

PLATE-41
WINDSCREEN WIPER

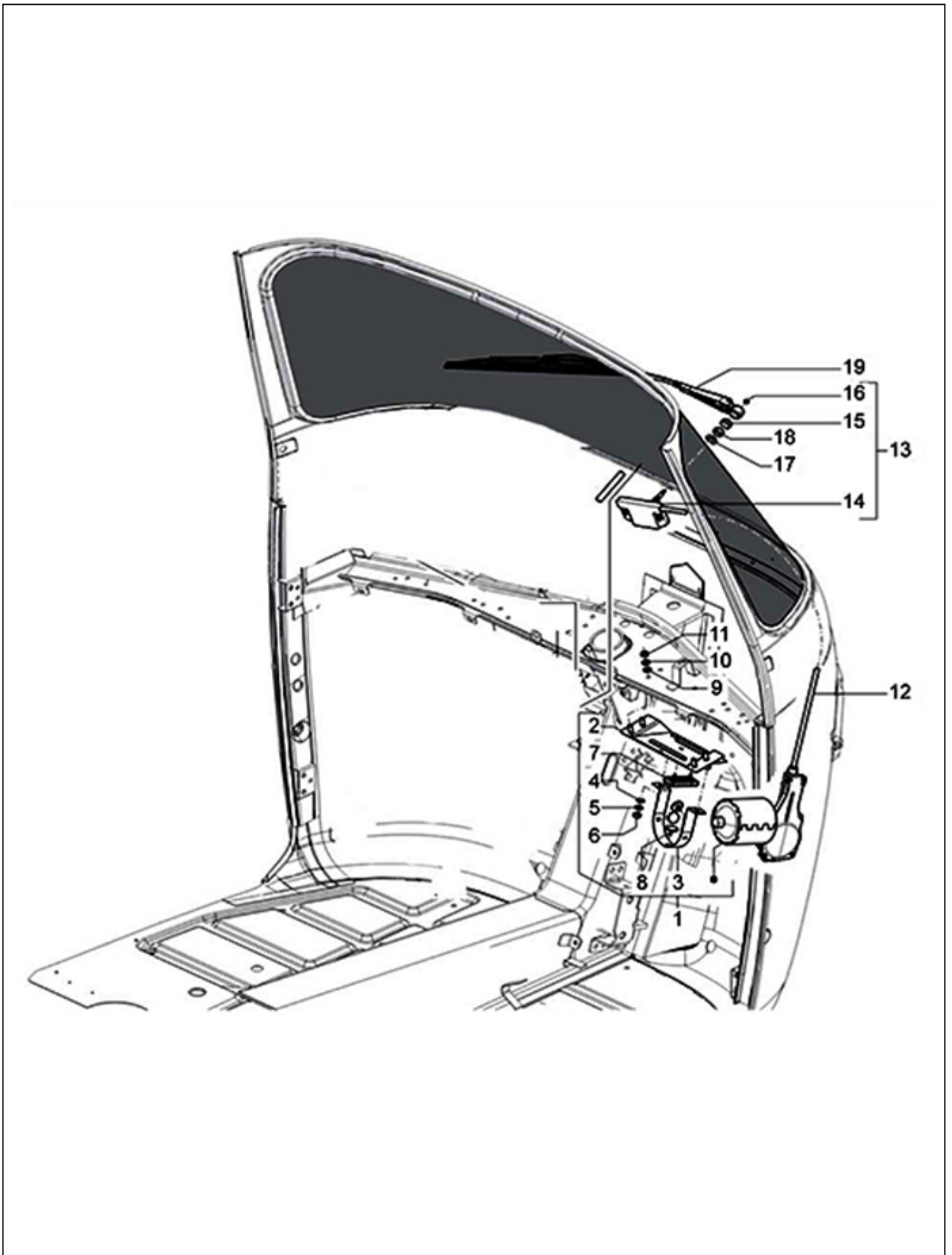


PLATE-41**WINDSCREEN WIPER**

Fig. No.	Part No.	Description	Qty	Remarks
1	B073685	WIPER MOTOR ASSY. WITH MTG. BKT.	1	
2	569166	WIPER MOTOR MOUNTING BRACKET	1	
3	569177	STRAP ASSY FOR WIPER MOTOR (N.I.)	1	
4	016406	SPRING WASHER	2	
5	3056	PLAIN WASHER M6 OD12	2	
6	20106	HEX NUT M6	2	
7	569178	RUBBER PAD FOR WIPER MOTO (N.I.)	1	
8	940161	CABLE RACK APE CITY	1	NI
9	3056	PLAIN WASHER M6 OD12	4	
10	016406	SPRING WASHER	4	
11	20106	HEX NUT M6	4	
12	B073682	WIPER BUNDY - MOTOR TO WHEEL BOX	1	
13	569197	WHEEL BOX ASSY. (MOD.)	1	
14	NS	NOT SERVICEABLE	1	
15	NS	NOT SERVICEABLE	1	
16	569165	DOME NUT	1	
17	6173	METALLIC PLAIN WASHER (808001026)	1	
18	20106	HEX NUT M6	1	
19	B073600	WIPER ARM & BLADE ASSY	1	

PLATE-42

Stickers

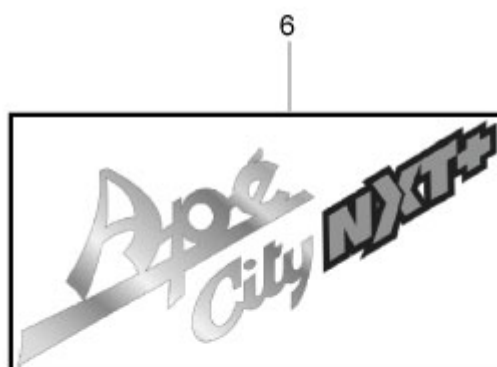
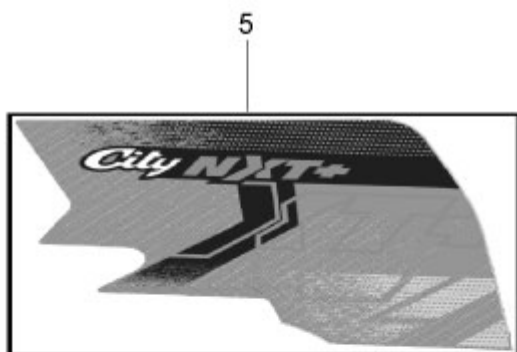
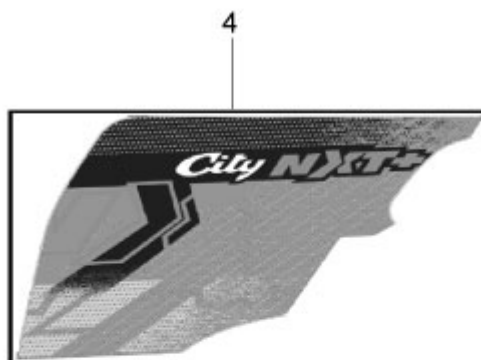
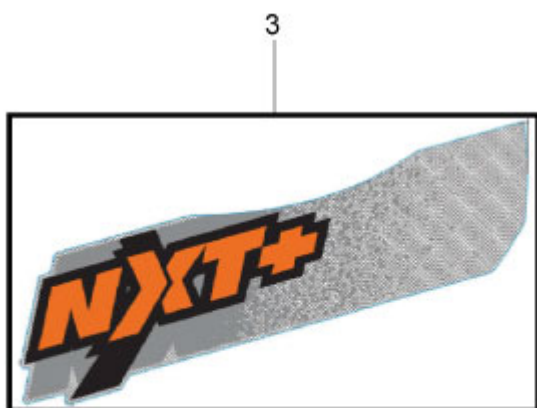
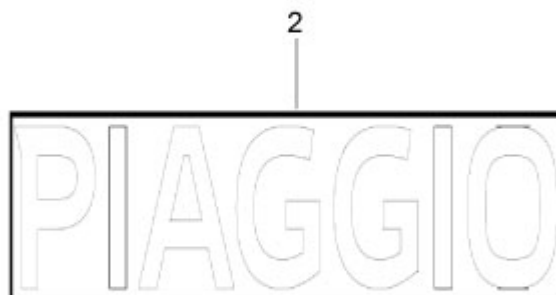
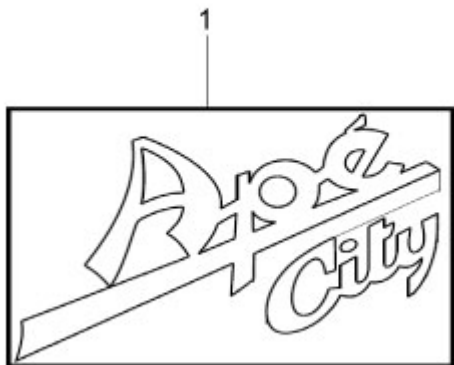


PLATE-42**Stickers**

Fig. No.	Part No.	Description	Qty	Remarks
1	B078919	APE CITY STICKER (FRONT PANEL)	1	
2	B078925	PIAGGIO STICKER (VISUAL BARRIER	1	
3	6B002978	NXT+ FRONT DECAL	1	
4	6B002979	NXT+ LH SIDE WALL DECAL	1	
5	6B002980	NXT+ RH SIDE WALL DECAL	1	
6	6B002981	NXT+ REAR DECAL	1	

PLATE-16.1
Carburetor Child Parts

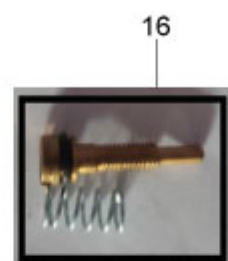
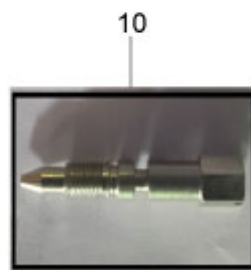
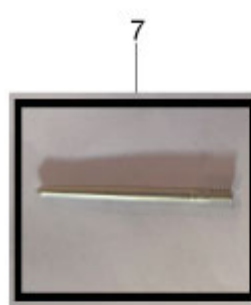
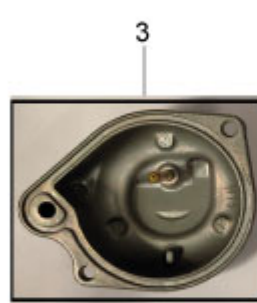


PLATE-16.1**Carburetor Child Parts**

Fig. No.	Part No.	Description	Qty	Remarks
1	1A010097	THROTTLE VALVE	1	PTL
2	1A011914	KIT STARTER DEVICE	1	PTL
3	1A010092	COMPLETE BODY FLOAT CHAMBER	1	PTL
4	1A010091	COMPLETE FLOAT	1	PTL
5	1A010100	PISTON SPRING	1	PTL
6	1A010090	VALVE COMPLETE FLOAT	1	PTL
7	1A010098	JET NEEDLE	1	PTL
8	1A010023	NEEDLE JET	1	PTL
9	1A010095	FLOAT CHAMBER GASKET	1	PTL
10	1A010096	SCREW DRAIN	1	PTL
11	1A010024	NEEDLE JET HOLDER	1	PTL
12	1A010088	MAXIMUM JET	1	PTL
13	1A010101	TOP COMPLETE-PTL	1	PTL
14	1A010089	MINIMUM JET	1	PTL
15	1A010025	PILOT SCREW	1	PTL
16	1A010102	STOP SCREW AND SPRING	1	PTL
17	1A010026	PLANE WASHER	1	PTL

PARTS INDEX

APECITY_DLX_NXTPlus_PTL_EXP_BSIII

PART NO	BLOCK	PART NO	BLOCK	PART NO	BLOCK
000267	PLATE-10	109064	PLATE-29	13861	PLATE-20
002139	PLATE-12	109066	PLATE-29	13861	PLATE-20
006410	PLATE-14	109117	PLATE-29	13861	PLATE-40
009101	PLATE-12	109265	PLATE-29	13880	PLATE-17
013880	PLATE-18	109404	PLATE-28	13880	PLATE-24
013880	PLATE-23	109635	PLATE-28	150579	PLATE-29
013880	PLATE-23	109775	PLATE-28	15335	PLATE-19
013880	PLATE-23	109775	PLATE-28	15594	PLATE-30
013880	PLATE-35	109892	PLATE-30	157103	PLATE-30
016406	PLATE-15	111353	PLATE-2	15727	PLATE-37
016406	PLATE-23	111356	PLATE-31	15727	PLATE-40
016406	PLATE-23	111498	PLATE-31	157716	PLATE-21
016406	PLATE-28	112867R	PLATE-31	157716	PLATE-27
016406	PLATE-28	112898	PLATE-2	15900	PLATE-23
016406	PLATE-31	113278	PLATE-31	15900	PLATE-23
016406	PLATE-35	117401	PLATE-2	15900	PLATE-27
016406	PLATE-40	117402	PLATE-2	15911	PLATE-22
016406	PLATE-40	120164019	PLATE-13	16319	PLATE-28
016406	PLATE-40	120170018	PLATE-13	16405	PLATE-21
016406	PLATE-40	12138	PLATE-28	16405	PLATE-21
016406	PLATE-41	122032014	PLATE-12	16405	PLATE-22
016406	PLATE-41	125181	PLATE-28	16405	PLATE-23
016408	PLATE-15	125289	PLATE-29	16405	PLATE-24
016408	PLATE-19	12536	PLATE-32	16405	PLATE-24
016408	PLATE-19	12536	PLATE-33	16405	PLATE-40
016408	PLATE-20	12546	PLATE-22	16406	PLATE-17
016408	PLATE-21	12546	PLATE-40	16408	PLATE-17
016408	PLATE-21	12546	PLATE-40	16408	PLATE-17
016408	PLATE-25	127012019	PLATE-13	16410	PLATE-19
016408	PLATE-30	127013013	PLATE-13	16410	PLATE-29
016408	PLATE-36	127016015	PLATE-2	16410	PLATE-29
016408	PLATE-40	127111011	PLATE-14	16410	PLATE-30
016408	PLATE-40	127185012	PLATE-13	16410	PLATE-30
016408	PLATE-40	127460010	PLATE-13	165121014	PLATE-2
018639	PLATE-7	12790	PLATE-30	165155R	PLATE-14
018639	PLATE-11	127927R	PLATE-35	16603	PLATE-21
018639	PLATE-16	128633	PLATE-30	16603	PLATE-23
018639	PLATE-18	132129	PLATE-14	16603	PLATE-23
107718	PLATE-29	132134	PLATE-14	16620	PLATE-28
107871	PLATE-29	132136R	PLATE-14	16626	PLATE-28
108785	PLATE-36	136916	PLATE-35	16626	PLATE-28
108873	PLATE-29	137235	PLATE-29	16670	PLATE-26
108874	PLATE-29	138237	PLATE-35	16670	PLATE-26

PART NO	BLOCK	PART NO	BLOCK	PART NO	BLOCK
16670	PLATE-27	1A007047	PLATE-8	1A010090	PLATE-16.1
177559	PLATE-30	1A007051	PLATE-14	1A010091	PLATE-16.1
180431	PLATE-29	1A007152	PLATE-35	1A010092	PLATE-16.1
18630	PLATE-27	1A007152	PLATE-39	1A010095	PLATE-16.1
190462	PLATE-22	1A007153	PLATE-15	1A010096	PLATE-16.1
196302	PLATE-29	1A007488	PLATE-15	1A010097	PLATE-16.1
196302	PLATE-30	1A007489	PLATE-15	1A010098	PLATE-16.1
197071	PLATE-34	1A007501	PLATE-14	1A010100	PLATE-16.1
1A000024	PLATE-11	1A007565	PLATE-6	1A010101	PLATE-16.1
1A000612	PLATE-2	1A007605	PLATE-14	1A010102	PLATE-16.1
1A000612	PLATE-14	1A007635	PLATE-15	1A010119	PLATE-13
1A000708	PLATE-9	1A007663R	PLATE-2	1A010136	PLATE-13
1A000708	PLATE-13	1A007664R	PLATE-2	1A010166	PLATE-12
1A000831	PLATE-11	1A007774	PLATE-2	1A010208	PLATE-13
1A001073	PLATE-10	1A008077	PLATE-13	1A010461	PLATE-13
1A001073	PLATE-12	1A008397	PLATE-6	1A010540	PLATE-13
1A001794	PLATE-18	1A008547	PLATE-14	1A010548	PLATE-13
1A001795	PLATE-18	1A008559	PLATE-2	1A010632	PLATE-14
1A002358	PLATE-6	1A008672	PLATE-10	1A010720	PLATE-2
1A002685	PLATE-2	1A008804	PLATE-14	1A011066	PLATE-3
1A002691	PLATE-11	1A008804	PLATE-34	1A011217	PLATE-2
1A004807	PLATE-14	1A008823	PLATE-2	1A011246	PLATE-2
1A005176	PLATE-14	1A009093	PLATE-14	1A011500	PLATE-8
1A005178	PLATE-12	1A009586	PLATE-9	1A011778	PLATE-14
1A006115	PLATE-12	1A009587	PLATE-9	1A011914	PLATE-16.1
1A006545	PLATE-7	1A009588	PLATE-9	1A011940	PLATE-13
1A006592	PLATE-15	1A009589	PLATE-9	1A012150	PLATE-13
1A006593	PLATE-15	1A009590	PLATE-9	1A012151	PLATE-13
1A006701	PLATE-12	1A009591	PLATE-9	1A012152	PLATE-13
1A006740	PLATE-11	1A009592	PLATE-9	1A012153	PLATE-13
1A006742	PLATE-11	1A009593	PLATE-9	1A012154	PLATE-13
1A006743	PLATE-11	1A009621R	PLATE-4	1A012155	PLATE-13
1A006812	PLATE-8	1A009632	PLATE-16	1A012156	PLATE-13
1A006856	PLATE-2	1A009762	PLATE-8	1A012157	PLATE-13
1A006858	PLATE-9	1A010001	PLATE-11	1A012158	PLATE-13
1A006877	PLATE-8	1A010016	PLATE-12	1A012159	PLATE-13
1A006899	PLATE-6	1A010023	PLATE-16.1	1A012160	PLATE-13
1A006901	PLATE-6	1A010024	PLATE-16.1	1A012161	PLATE-13
1A006970	PLATE-12	1A010025	PLATE-16.1	1A012181	PLATE-12
1A006988	PLATE-10	1A010026	PLATE-16.1	1A012182	PLATE-12
1A007026	PLATE-2	1A010035	PLATE-12	1A012334	PLATE-12
1A007028	PLATE-2	1A010088	PLATE-16.1	1A012845	PLATE-13
1A007029	PLATE-12	1A010089	PLATE-16.1	1A012846	PLATE-12

PART NO	BLOCK	PART NO	BLOCK	PART NO	BLOCK
1A012925	PLATE-5	20106	PLATE-21	237246	PLATE-30
1A013013	PLATE-6	20106	PLATE-23	237246	PLATE-30
1A013159	PLATE-10	20106	PLATE-23	2383	PLATE-15
1A014335	PLATE-17	20106	PLATE-34	2383	PLATE-17
1A014871	PLATE-12	20106	PLATE-40	2383	PLATE-17
1A014872	PLATE-12	20106	PLATE-40	2383	PLATE-19
1A014873	PLATE-12	20106	PLATE-40	2383	PLATE-19
1A014874	PLATE-12	20106	PLATE-41	2383	PLATE-19
1A016737	PLATE-8	20106	PLATE-41	2383	PLATE-20
1A016964	PLATE-14	20108	PLATE-15	2383	PLATE-21
1A016964	PLATE-2	20108	PLATE-19	2383	PLATE-40
1A017112	PLATE-12	20108	PLATE-19	2388	PLATE-21
1A018038	PLATE-9	20108	PLATE-20	243303R	PLATE-30
1A018094	PLATE-4	20108	PLATE-20	265091	PLATE-19
1A018212	PLATE-9	20108	PLATE-20	265091	PLATE-19
1A018642R	PLATE-9	20108	PLATE-21	267065	PLATE-30
1A020456	PLATE-9	20108	PLATE-21	267065	PLATE-30
1A021042	PLATE-17	20108	PLATE-36	267068	PLATE-30
1A021204	PLATE-9	20108	PLATE-40	269755	PLATE-2
1D000510	PLATE-40	20110	PLATE-19	269755	PLATE-6
1D000671R	PLATE-40	20110	PLATE-29	272178	PLATE-19
1D001138	PLATE-8	20110	PLATE-29	285536	PLATE-8
1D001846	PLATE-10	20110	PLATE-30	286328	PLATE-19
1D001847	PLATE-10	20110	PLATE-30	286328	PLATE-19
1D001894	PLATE-7	20359	PLATE-30	286328	PLATE-30
1D001894	PLATE-18	21118	PLATE-12	288730	PLATE-14
1E002770	PLATE-28	21118	PLATE-30	30074	PLATE-17
1E002771	PLATE-28	216369	PLATE-24	30074	PLATE-21
1E002772	PLATE-28	220575	PLATE-14	30209R	PLATE-29
20104	PLATE-20	226596	PLATE-30	30242	PLATE-22
20104	PLATE-22	226596	PLATE-30	3054	PLATE-20
20105	PLATE-21	226661	PLATE-30	3054	PLATE-21
20105	PLATE-22	226661	PLATE-30	3054	PLATE-22
20105	PLATE-23	226662	PLATE-30	3054	PLATE-26
20105	PLATE-23	226662	PLATE-30	3054	PLATE-37
20105	PLATE-27	229524	PLATE-36	3055	PLATE-23
20105	PLATE-39	231370	PLATE-19	3055	PLATE-26
20105	PLATE-40	231370	PLATE-30	3055	PLATE-40
20105	PLATE-40	231370	PLATE-30	3055	PLATE-40
20105	PLATE-40	231370	PLATE-30	3055	PLATE-40
20106	PLATE-41	231370	PLATE-30	3056	PLATE-21
20106	PLATE-15	231370	PLATE-30	3056	PLATE-21
20106	PLATE-17	231370	PLATE-31	3056	PLATE-23

PART NO	BLOCK	PART NO	BLOCK	PART NO	BLOCK
3056	PLATE-31	434716	PLATE-5	569244	PLATE-19
3056	PLATE-40	435571	PLATE-4	569244	PLATE-19
3056	PLATE-40	436947	PLATE-17	569375	PLATE-19
3056	PLATE-40	478261	PLATE-13	569377	PLATE-19
3056	PLATE-40	479986	PLATE-8	58273R	PLATE-6
3056	PLATE-40	48197	PLATE-35	587617	PLATE-30
3056	PLATE-41	482335	PLATE-4	587624R	PLATE-35
3056	PLATE-41	483711	PLATE-5	587671R	PLATE-40
3058	PLATE-20	485655	PLATE-2	587829	PLATE-35
3058	PLATE-20	485703	PLATE-2	587902	PLATE-28
3058	PLATE-21	485703	PLATE-6	587904	PLATE-28
3058	PLATE-21	485868	PLATE-6	5969	PLATE-36
3058	PLATE-21	566545	PLATE-29	5969	PLATE-37
3058	PLATE-21	567454	PLATE-25	604535	PLATE-30
3058	PLATE-25	567456	PLATE-25	604553	PLATE-15
3058	PLATE-40	567458	PLATE-25	604557	PLATE-40
3068	PLATE-30	567461	PLATE-36	604603	PLATE-23
31056	PLATE-24	567473	PLATE-29	604717	PLATE-36
31056	PLATE-24	567498R	PLATE-37	604756	PLATE-15
31057	PLATE-23	567581	PLATE-40	604756	PLATE-15
31057	PLATE-40	567593	PLATE-27	604756	PLATE-20
31057	PLATE-40	567706	PLATE-40	604758	PLATE-29
31058	PLATE-27	567878R	PLATE-24	604759	PLATE-29
31058	PLATE-39	567899	PLATE-36	604908	PLATE-24
31058	PLATE-40	567920	PLATE-26	604909	PLATE-24
31088	PLATE-21	567920	PLATE-36	604948	PLATE-19
31088	PLATE-23	567920	PLATE-36	604954	PLATE-20
31088	PLATE-40	567990	PLATE-29	604954	PLATE-40
31088	PLATE-40	567991	PLATE-29	60565	PLATE-28
31089	PLATE-17	567992	PLATE-29	6066	PLATE-29
31089	PLATE-23	567993	PLATE-29	6066	PLATE-30
31089	PLATE-28	568095	PLATE-29	6078	PLATE-26
31089	PLATE-28	568689	PLATE-19	6078	PLATE-40
31092	PLATE-31	568692	PLATE-40	616649	PLATE-20
31116	PLATE-21	568737	PLATE-36	616649	PLATE-40
31118	PLATE-20	569160	PLATE-39	6173	PLATE-41
31118	PLATE-21	569165	PLATE-41	6173	PLATE-36
31119	PLATE-25	569166	PLATE-41	632056	PLATE-35
31119	PLATE-40	569177	PLATE-41	632158	PLATE-28
31122	PLATE-21	569178	PLATE-41	632158	PLATE-28
31154	PLATE-19	569197	PLATE-41	632508	PLATE-20
432142	PLATE-2	569241	PLATE-19	632508	PLATE-40
434541	PLATE-6	569241	PLATE-19	63440	PLATE-32

PART NO	BLOCK	PART NO	BLOCK	PART NO	BLOCK
639088	PLATE-21	6B000637	PLATE-21	6B002757	PLATE-27
640762	PLATE-37	6B000638	PLATE-21	6B002757	PLATE-27
6411	PLATE-36	6B000808	PLATE-21	6B002781	PLATE-21
642032	PLATE-37	6B001129	PLATE-21	6B002792	PLATE-27
642537	PLATE-18	6B001137	PLATE-21	6B002796	PLATE-27
643149	PLATE-18	6B001140	PLATE-21	6B002827	PLATE-27
643367	PLATE-18	6B001170	PLATE-21	6B002955	PLATE-21
643691	PLATE-26	6B001331ED	PLATE-21	6B002956	PLATE-21
643692	PLATE-35	6B001332ED	PLATE-21	6B002957	PLATE-21
643741	PLATE-30	6B001388	PLATE-21	6B002958	PLATE-21
643741	PLATE-30	6B001389	PLATE-21	6B002959	PLATE-21
643772R	PLATE-29	6B001455	PLATE-21	6B002960	PLATE-21
644299	PLATE-24	6B001517	PLATE-21	6B002978	PLATE-42
644814R	PLATE-35	6B001518	PLATE-21	6B002979	PLATE-42
645037	PLATE-15	6B001519	PLATE-21	6B002980	PLATE-42
6450	PLATE-14	6B001520	PLATE-21	6B002981	PLATE-42
652001	PLATE-36	6B001539	PLATE-21	6B003006	PLATE-27
652562	PLATE-20	6B001654	PLATE-21	6B003007	PLATE-27
660168	PLATE-15	6B001698BL	PLATE-20	6B003008	PLATE-27
660168	PLATE-20	6B001698BW	PLATE-20	6B003024	PLATE-26
660168	PLATE-21	6B001698BY	PLATE-20	6B003027	PLATE-28
660168	PLATE-26	6B001698CB	PLATE-20	6B003028	PLATE-26
661229	PLATE-35	6B001698CO	PLATE-20	6B003032	PLATE-26
661229	PLATE-35	6B001698EG	PLATE-20	6B003040	PLATE-21
661266	PLATE-30	6B001698GY	PLATE-20	6B003045	PLATE-21
661266	PLATE-30	6B001698NB	PLATE-20	6B003047	PLATE-21
661267	PLATE-30	6B001698PA	PLATE-20	6B003050	PLATE-21
661282	PLATE-30	6B001698PB	PLATE-20	6B003144	PLATE-27
661925	PLATE-26	6B001698WR	PLATE-20	6B003146	PLATE-27
661925	PLATE-27	6B001994	PLATE-25	6B003148	PLATE-27
6632187Z01	PLATE-21	6B002450R	PLATE-21	6B003150	PLATE-27
6650	PLATE-30	6B002549BL	PLATE-21	6C000016	PLATE-31
6733	PLATE-29	6B002549BW	PLATE-21	6C000041	PLATE-31
680166	PLATE-40	6B002549BY	PLATE-21	6C000190	PLATE-29
680166	PLATE-40	6B002549CB	PLATE-21	6C000191	PLATE-29
6965	PLATE-27	6B002549CO	PLATE-21	6C000231	PLATE-30
6965	PLATE-39	6B002549EG	PLATE-21	6C000312R	PLATE-31
6965	PLATE-40	6B002549GY	PLATE-21	6C000430	PLATE-29
6A000068	PLATE-34	6B002549NB	PLATE-21	6C000430	PLATE-30
6A000070	PLATE-34	6B002549PA	PLATE-21	6C000530	PLATE-30
6A000200	PLATE-15	6B002549PB	PLATE-21	6D000143R	PLATE-27
6A000209	PLATE-28	6B002549WR	PLATE-21	6D000144R	PLATE-27
6A001834	PLATE-34	6B002586	PLATE-27	6D000145R	PLATE-27

PART NO	BLOCK	PART NO	BLOCK	PART NO	BLOCK
6D000146R	PLATE-27	884222808	PLATE-2	B003300	PLATE-32
6D000305	PLATE-27	920088	PLATE-15	B003300	PLATE-33
6D000374	PLATE-21	925574	PLATE-33	B003324	PLATE-32
6D000420	PLATE-38	925581	PLATE-27	B003325	PLATE-32
6D000421	PLATE-38	925786	PLATE-40	B003327	PLATE-33
6D000424	PLATE-38	925888	PLATE-24	B003328	PLATE-33
6D000425	PLATE-38	940028	PLATE-14	B003330	PLATE-33
6D000426	PLATE-38	940066	PLATE-29	B003331	PLATE-33
6D000427	PLATE-38	940067	PLATE-35	B003652	PLATE-21
6D000428	PLATE-38	940068	PLATE-35	B003978	PLATE-20
6D000429	PLATE-38	940069	PLATE-15	B003978	PLATE-40
6D000435	PLATE-38	940071	PLATE-15	B006509	PLATE-32
6D000437	PLATE-38	940072	PLATE-15	B006544	PLATE-20
6D000478	PLATE-40	940090	PLATE-21	B006544	PLATE-40
6D000479	PLATE-40	940161	PLATE-41	B008915	PLATE-29
6D000480	PLATE-40	963486	PLATE-4	B014063	PLATE-18
6D000481	PLATE-40	B001225	PLATE-33	B014066	PLATE-18
6D000482	PLATE-40	B001228	PLATE-33	B014555	PLATE-4
6D000948	PLATE-26	B001301	PLATE-29	B014684	PLATE-5
6D000952	PLATE-26	B001315	PLATE-29	B014705	PLATE-5
6D001104	PLATE-38	B001315	PLATE-30	B014706	PLATE-5
6D001105	PLATE-38	B001316	PLATE-29	B014732	PLATE-7
7066R	PLATE-2	B001316	PLATE-30	B014755	PLATE-2
74414	PLATE-29	B001788	PLATE-23	B014760	PLATE-6
74521	PLATE-29	B001789	PLATE-23	B015288	PLATE-5
75708	PLATE-29	B002334	PLATE-21	B015483	PLATE-6
8080	PLATE-26	B002486	PLATE-33	B015543	PLATE-16
812061656	PLATE-29	B003002	PLATE-32	B015592	PLATE-2
812061656	PLATE-30	B003002	PLATE-33	B015598	PLATE-8
82635R	PLATE-8	B003003	PLATE-32	B015943	PLATE-8
829661	PLATE-2	B003003	PLATE-33	B016120	PLATE-9
83040R	PLATE-6	B003004	PLATE-32	B016144	PLATE-3
83041R	PLATE-6	B003004	PLATE-33	B016148	PLATE-9
83054R	PLATE-5	B003008	PLATE-32	B016192	PLATE-11
842001600	PLATE-13	B003011	PLATE-33	B016368	PLATE-5
843000500	PLATE-14	B003012	PLATE-33	B016552	PLATE-18
843000809	PLATE-13	B003014	PLATE-33	B016611	PLATE-12
843307	PLATE-5	B003017	PLATE-32	B016620	PLATE-11
847928	PLATE-6	B003114	PLATE-24	B016774	PLATE-9
87067	PLATE-29	B003115	PLATE-24	B016774	PLATE-16
87067	PLATE-29	B003282	PLATE-24	B016774	PLATE-6
872816	PLATE-18	B003282	PLATE-24	B016939	PLATE-5
8771	PLATE-29	B003286	PLATE-19	B017113	PLATE-6

PART NO	BLOCK	PART NO	BLOCK	PART NO	BLOCK
B017165	PLATE-6	B041876	PLATE-25	B073850R	PLATE-37
B017189	PLATE-9	B042063	PLATE-39	B073852	PLATE-23
B017323	PLATE-6	B042170	PLATE-26	B073853	PLATE-23
B017323	PLATE-6	B042317	PLATE-36	B073882BW	PLATE-23
B017431	PLATE-6	B042356	PLATE-34	B073882BY	PLATE-23
B017431	PLATE-6	B042486	PLATE-2	B073882CB	PLATE-23
B017438	PLATE-5	B042794	PLATE-36	B073882EG	PLATE-23
B017456	PLATE-5	B042802	PLATE-40	B073882GY	PLATE-23
B017746	PLATE-6	B042895	PLATE-40	B073882NB	PLATE-23
B017746	PLATE-6	B073320R	PLATE-39	B074024	PLATE-25
B018442	PLATE-16	B073441	PLATE-15	B074033	PLATE-40
B018464	PLATE-12	B073469	PLATE-34	B074060	PLATE-25
B018464	PLATE-13	B073478R	PLATE-37	B074063	PLATE-23
B018533	PLATE-7	B073479R	PLATE-37	B074150	PLATE-20
B018718	PLATE-6	B073481R	PLATE-37	B074261	PLATE-26
B018853	PLATE-9	B073490	PLATE-40	B074262	PLATE-26
B018853	PLATE-13	B073492	PLATE-40	B074275	PLATE-26
B018854	PLATE-5	B073600	PLATE-41	B074491	PLATE-40
B018946	PLATE-6	B073601	PLATE-22	B074568	PLATE-37
B019047	PLATE-11	B073602BL	PLATE-22	B074593	PLATE-24
B019220	PLATE-13	B073602BW	PLATE-22	B074637	PLATE-20
B023726R	PLATE-40	B073602CB	PLATE-22	B074905	PLATE-40
B023727R	PLATE-40	B073602ED	PLATE-22	B074970	PLATE-15
B023786R	PLATE-35	B073602EG	PLATE-22	B074971	PLATE-15
B023940	PLATE-31	B073602GY	PLATE-22	B074999	PLATE-35
B024113	PLATE-29	B073602NB	PLATE-22	B074999	PLATE-36
B024113	PLATE-32	B073602WR	PLATE-22	B075267	PLATE-25
B024168	PLATE-24	B073626	PLATE-22	B075336	PLATE-24
B024373	PLATE-30	B073665	PLATE-22	B075459	PLATE-19
B024373	PLATE-30	B073666	PLATE-22	B075475	PLATE-36
B024474	PLATE-20	B073667SP	PLATE-29	B075485	PLATE-35
B024474	PLATE-22	B073682	PLATE-41	B075488	PLATE-35
B024532	PLATE-26	B073685	PLATE-41	B075489	PLATE-35
B024614	PLATE-31	B073690	PLATE-29	B075490	PLATE-35
B041054	PLATE-23	B073715	PLATE-37	B075491	PLATE-35
B041118	PLATE-21	B073788	PLATE-35	B075495	PLATE-36
B041217	PLATE-21	B073800	PLATE-36	B075505ED	PLATE-21
B041392	PLATE-20	B073810	PLATE-26	B075531ED	PLATE-21
B041397	PLATE-23	B073812	PLATE-26	B075565	PLATE-34
B041398	PLATE-23	B073813	PLATE-26	B075566	PLATE-34
B041774	PLATE-34	B073814	PLATE-26	B075593	PLATE-17
B041787	PLATE-25	B073848	PLATE-28	B075595	PLATE-19
B041853	PLATE-24	B073849	PLATE-28	B075687ED	PLATE-28

